

COLOR CODE	
BK	BLACK
BR	BROWN
DBL	DARK BLUE
DGN	DARK GREEN
GY	GRAY
LBL	LIGHT BLUE
LGN	LIGHT GREEN
O	ORANGE
P	PINK
R	RED
T	TAN
V	VIOLET
W	WHITE
Y	YELLOW
*	WITH TRACER

LEGEND	
WIRING SPLICE	
INSULATORS VIEWED FROM TERMINAL SIDE	
MALE	FEMALE
MALE	FEMALE

FIG. 19-Instrument Panel Wiring Diagram - Barracuda 1969

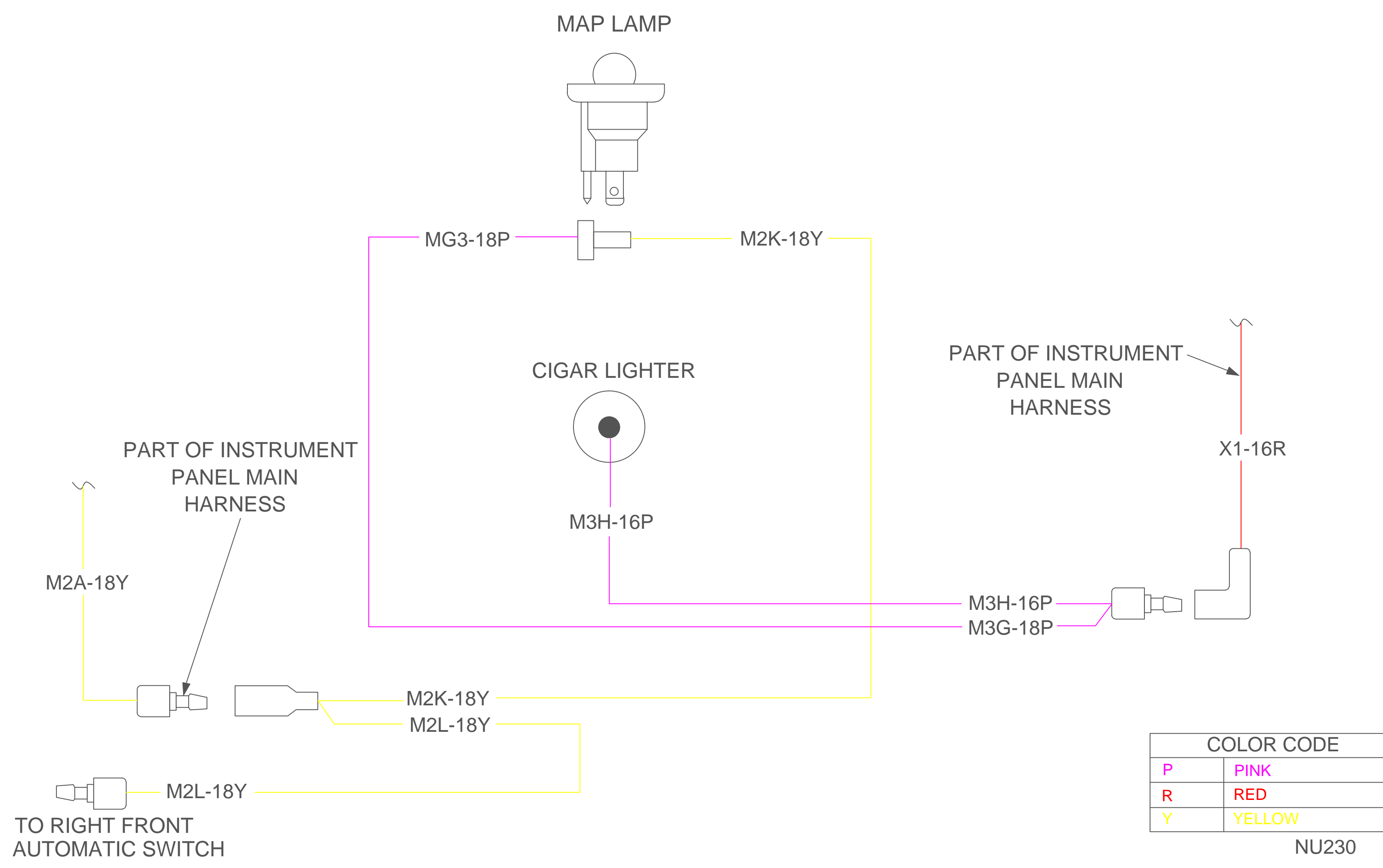


FIG. 23-Map Lamp Wiring (Without Map Lamp Switch) Valiant and Barracuda 1969

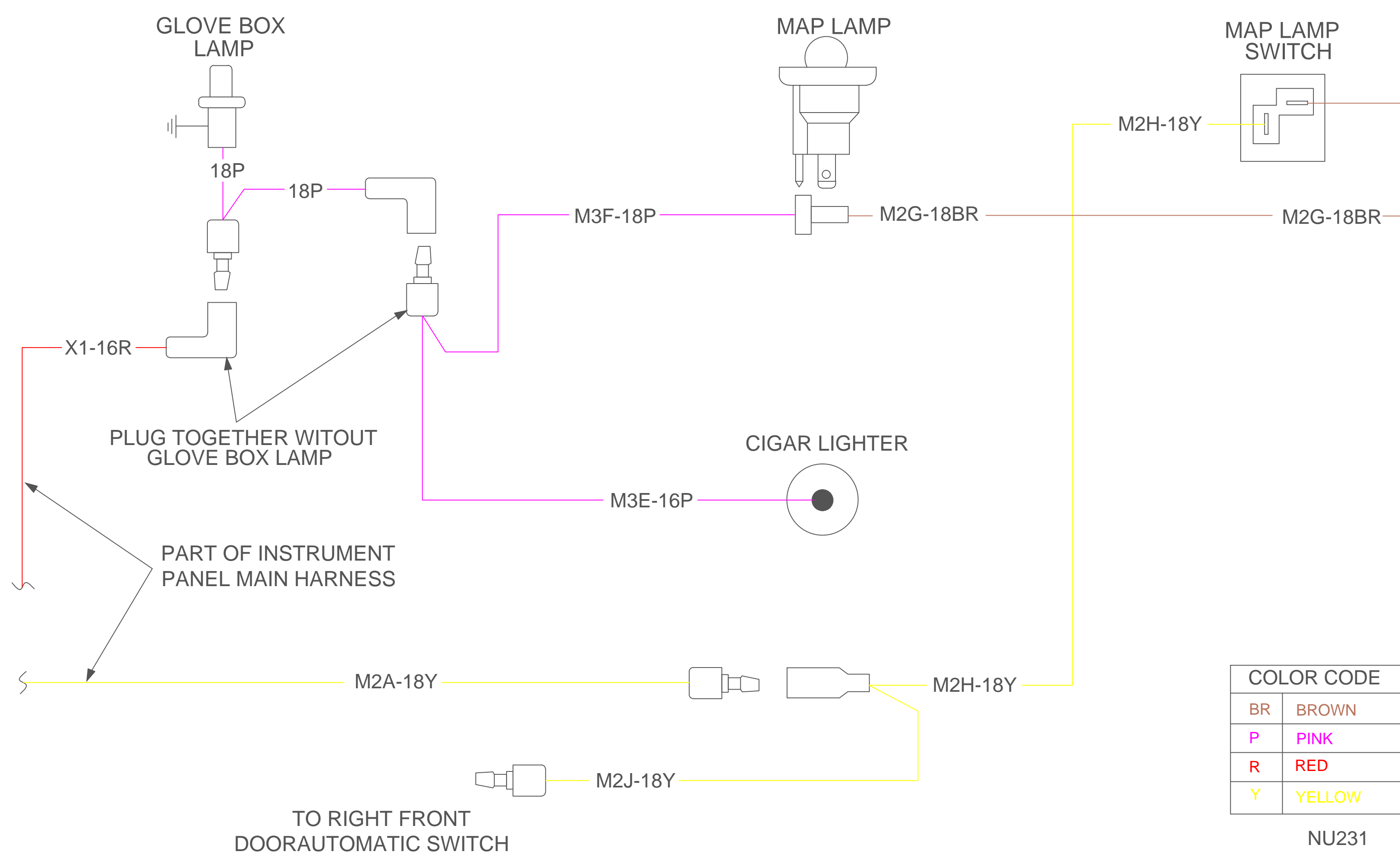


FIG. 24-Map Lamp and Glove Box Lamp Wiring (service Only) Valiant and Barracuda 1969

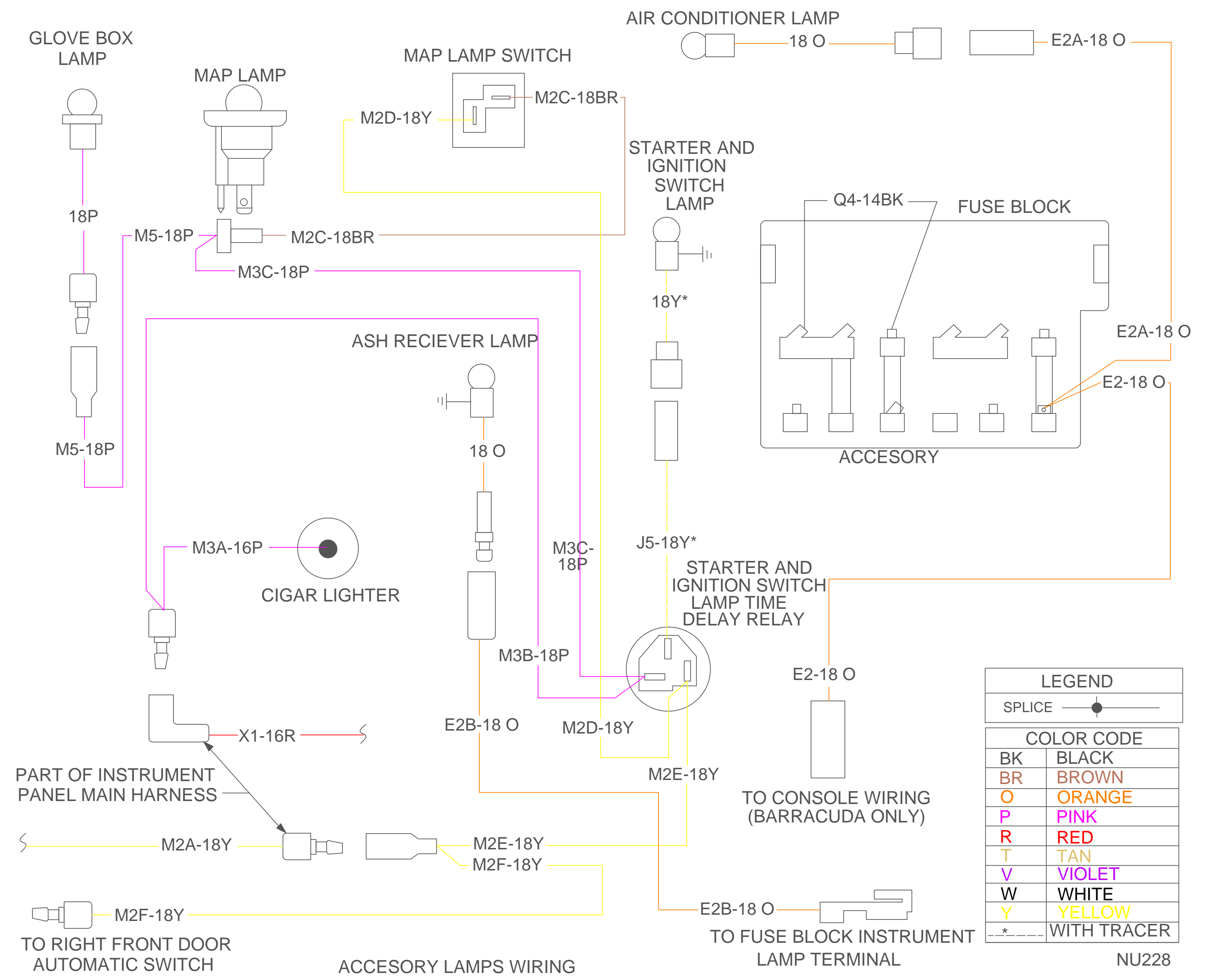


FIG. 1-Accessory Lamps Wiring - Valiant and Barracuda 1969

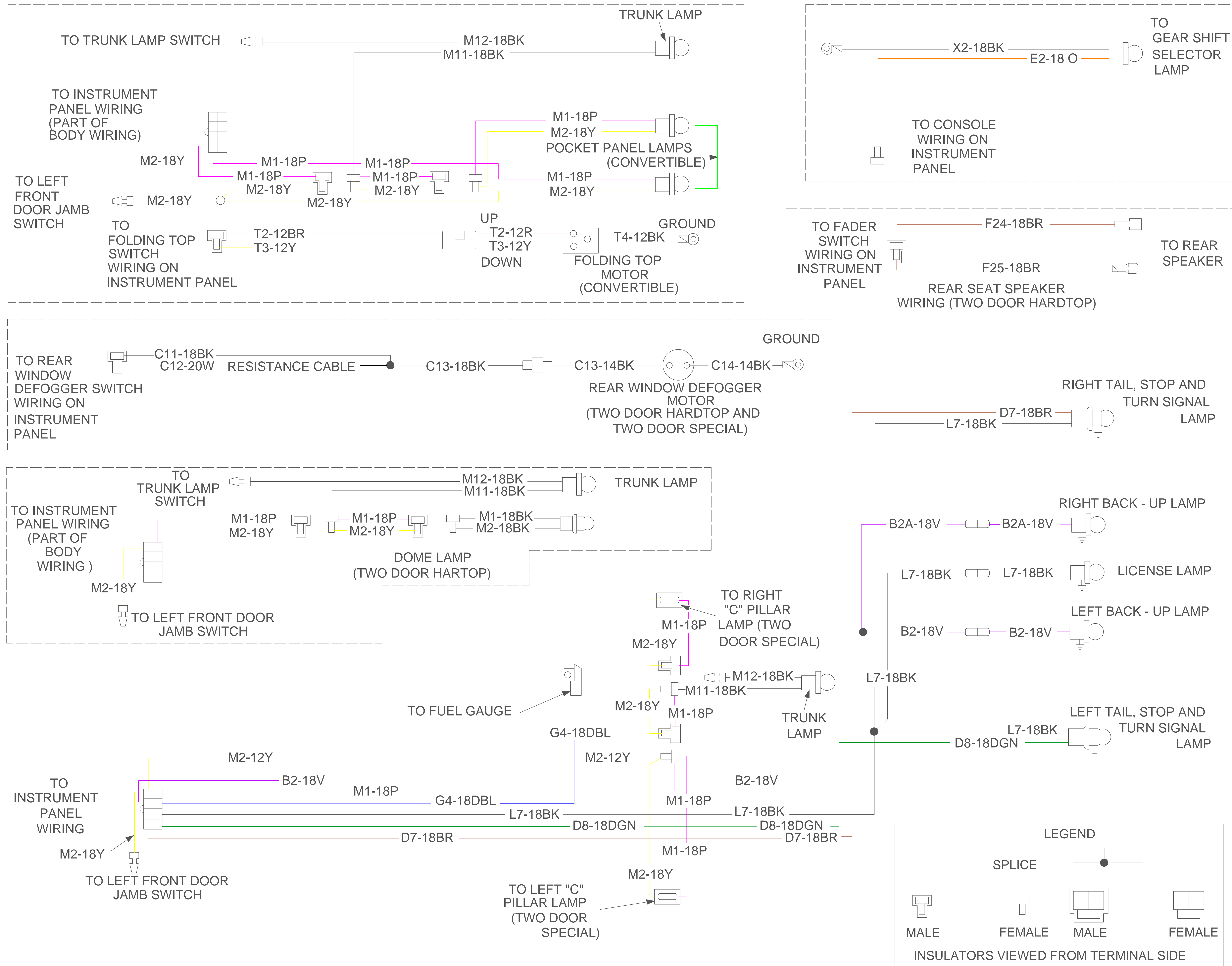


FIG. 2-Body Wiring Diagram -Barracuda 1969

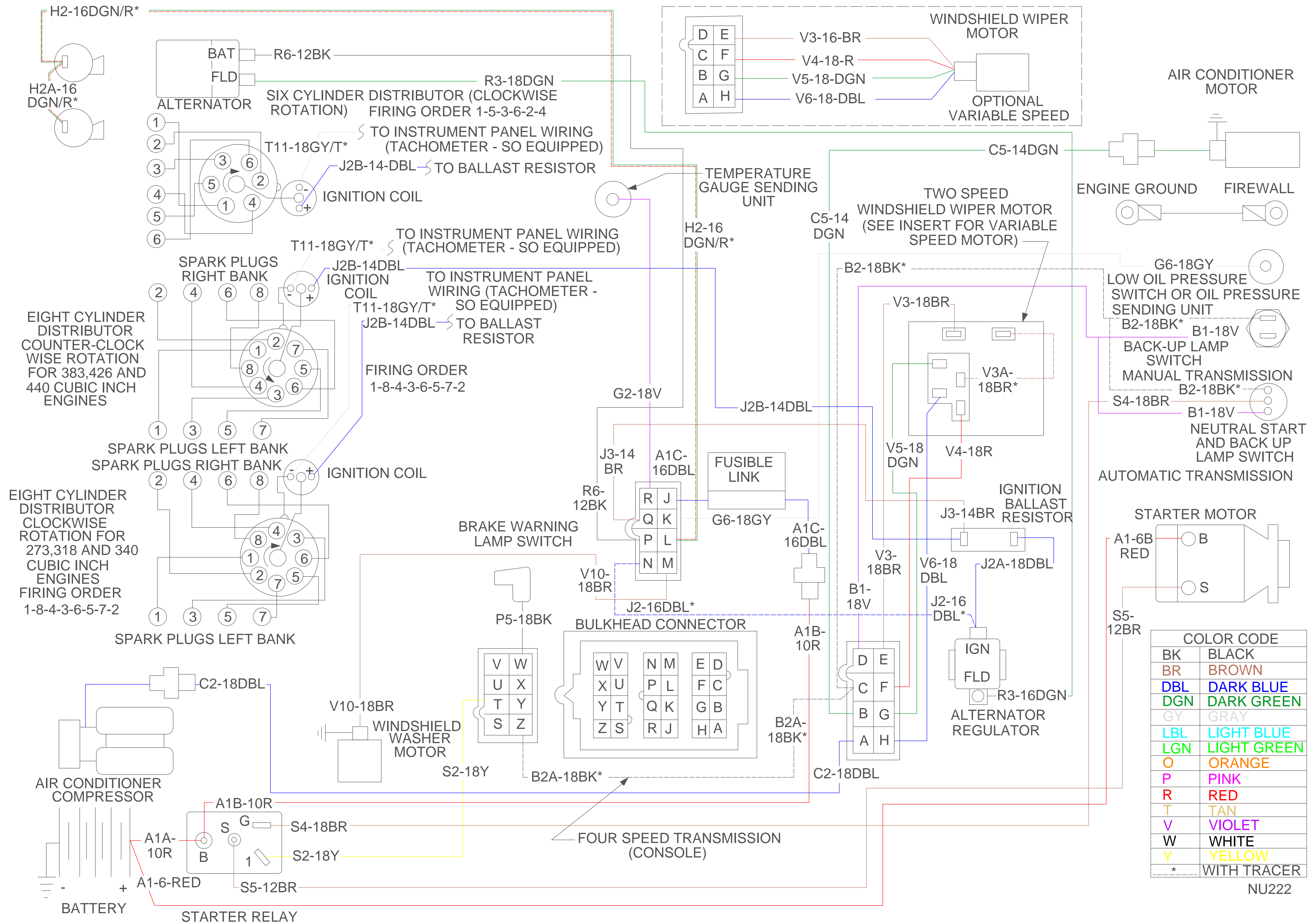


FIG. 10-Engine Compartment Wiring Diagram - Barracuda 1969

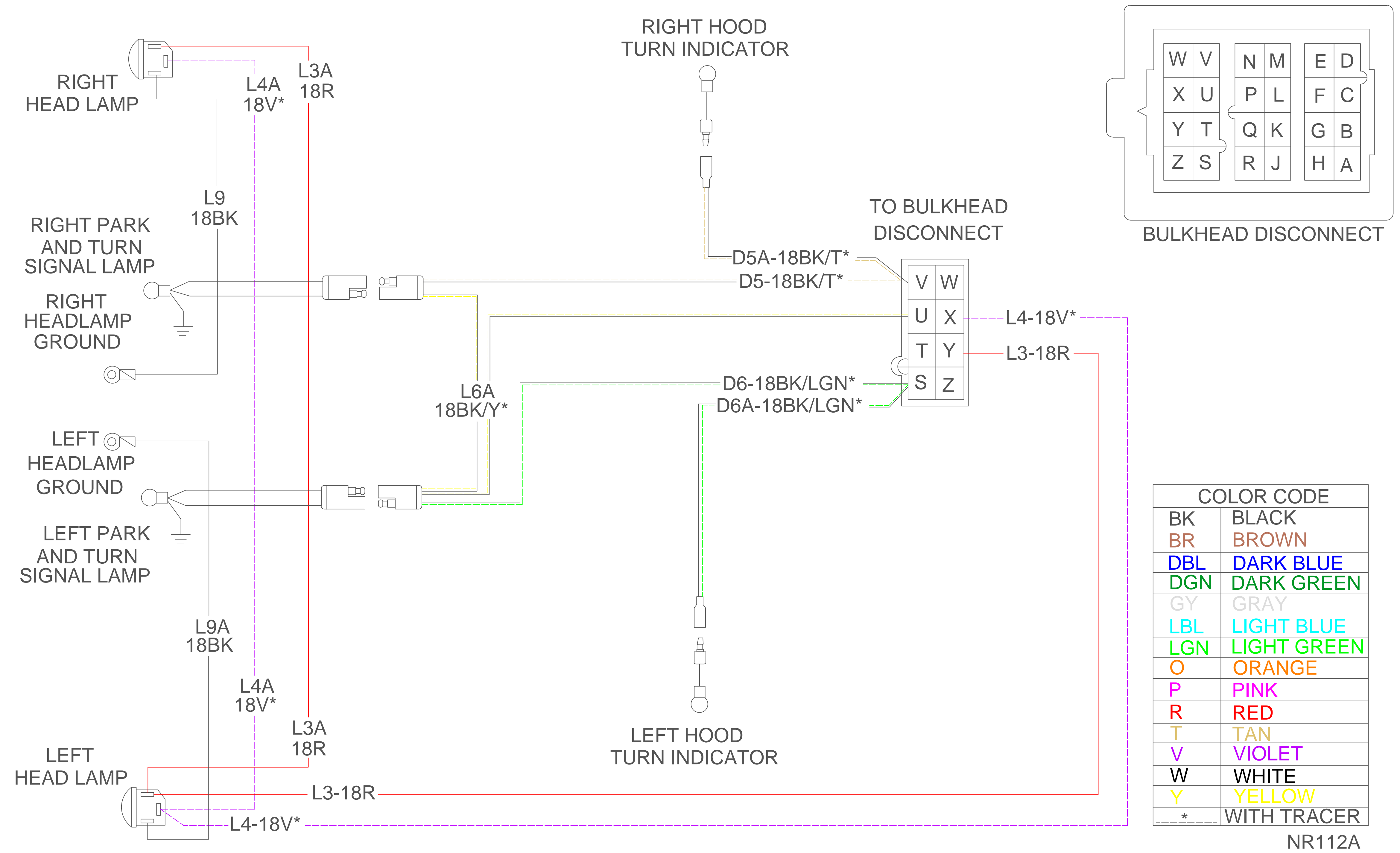


FIG. 13-Front End Lighting - Barracuda 1969