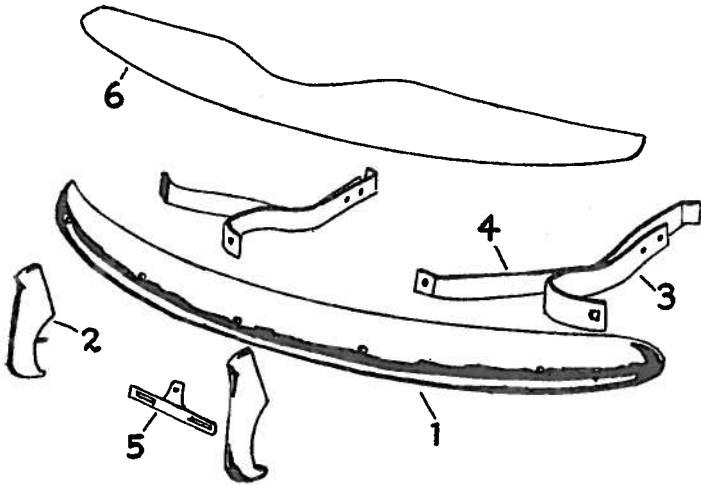


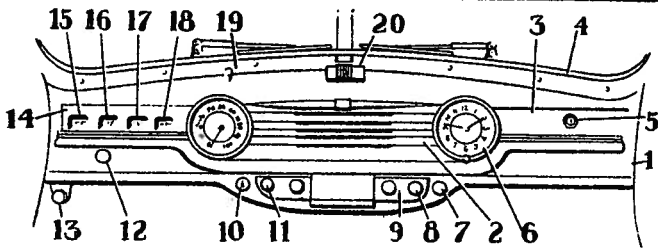
CHEVROLET 1946 to 1948 BODY PARTS

Series DJ, EJ and FJ; DK, EK and FK. ALL BODY STYLES



FRONT BUMPER

Item Part No.	Description	Price	Item Part No.	Description	Price
1 3681219	Face bar	\$10.50	6 3681349	Deflector, 1946, DK, DJ	4.35
2 3681918	Guard	2.40	6 3684052	Deflector, 1947-48, EK, EJ	4.35
3 3681255	Bar, L.	1.55			
4 3681253	Bar, R.	1.25			
5 3681292	License bracket	.30			

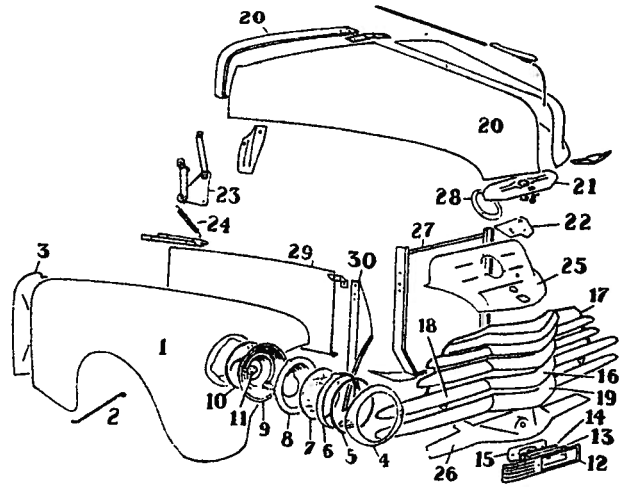


INSTRUMENT PANEL CABRIOLET

Item Part No.	Description	Price	Item Part No.	Description	Price
1 4162590	Inst. panel, 1948	11.50	12 3664777	Light rod, 1946-47	.35
1 4161469	Inst. panel, 1946-47	11.50	12 1990668	Light rod, 1948	.35
2 3684125	Grille	.40	13 3664667	Hood rod	1.00
3 4147116	Door, 1946	5.75	3684343	Cover plate	.35
3 4161412	Door, 1947-48	5.75	14 1568019	Case bezel, 1946	4.50
4 4146840	Midg., 1946	3.15	14 1568778	Case, 1947-48	5.00
4 4161344	Midg., 1947-48	3.15	15 1516405	Gas gage, 1946	3.50
5 4099313	Knob assy.	1.90	15 1516991	Gas gage, 1947-48	3.50
6 986100	Clock, 1947	8.75	16 1511895	Temp. gage, 1946	5.00
6 986164	Electric clock, 1948	15.75	16 1511898	Temp. gage, 1947	4.75
7 609828	Lighter	1.25	16 1512078	Temp. gage, 1948	5.00
8 3664775	Choke rod	.95	17 1500510	Ammeter, 1946	1.90
9 3684342	Control trim	.30	17 1500969	Ammeter, 1947-48	1.90
10 1116304	Electrolock, 1946	2.50	18 1506313	Oil gage, 1946	2.50
10 1116454	Electrolock, 1947	1.75	18 1507099	Oil gage, 1947-48	2.50
10 1116452	Electrolock, 1948	1.50	19 4132267	Control knob	.40
11 3664776	Throttle rod	.95	20 3665309	Ash tray, 1069	1.65

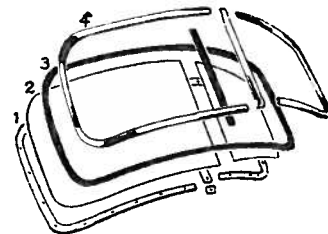
INSTRUMENT PANEL ALL MODELS EXCEPT CABRIOLET

Item Part No.	Description	Price	Item Part No.	Description	Price
1 4161469	Inst. panel, Ser. 1200, 1946-47	11.50	12 3664777	Light rod, 1946, dk 47 ek	.35
1 4162590	Panel, 1948 fk fj	11.50	12 1990668	Light rod, 1948 fk	.35
2 3684125	Grille	.40	13 3664667	Hood rod	1.00
3 4161349	Door, Ser. 1200	3.45	14 1568019	Case assy., 1946 dk dj	4.50
4 4146840	Midg., 1946, dk dj	3.15	14 1569015	Case assy., 1947 ej 48 fj	3.15
4 4125916	Midg., 1947-48	3.15	15 1516991	Gas gage, 1947-48	3.50
5 4099313	Knob assy.	1.90	15 1616405	Gas gage, 1946 dk dj	3.50
6 986100	Clock, 1947 ek ej	8.75	15 1616405	Gas gage, 1946 dk dj	3.50
6 986164	Electric clock, 1948, fk fj	15.75	16 1512078	Temp. gage, 1946 dk dj	5.00
7 609828	Lighter	1.25	16 1511895	Temp. gage, 1947 ek ej	5.00
8 3664775	Choke rod, exc. dk dj	.95	16 1512078	Temp. gage, 1948 fk fj	5.00
9 3684341	Midg.	.30	17 1500969	Ammeter, 1947-1948	1.90
10 1116304	Electrolock assy., 1946, dk dj	2.50	17 1500510	Ammeter, 1946	1.90
10 1116454	Electrolock, 1947, ek ej	1.75	18 1506313	Oil gage, 1946 dk dj	2.50
10 1116452	Electrolock, 1948, fk fj	1.50	18 1507099	Oil gage, 1946-1948	2.50
11 3664776	Throttie rod	.95	19 4132267	Knob	.40
			20 986105	Ash tray, Ser. 1200	1.65



FRONT END

Item Part No.	Description	Price	Item Part No.	Description	Price
1 3681287	Fender, 1946, DK, DJ	21.00	GRILLE		
1 3684117	Fender, 1947-48	21.00	16 3681272	Grille assem., 1946	26.50
2 3664046	Brace	.23	3681705	Name plate, 1946	.35
3 3664113	Baffle	1.75	17 3676372	Molding, upper	10.25
			18 3847455	Grille, L., 1947-48	12.50
			19 3847454	Center	12.50
			HEADLAMP		
4 5932799	Rim	2.25	20 3684111	Panel, hood panel, all models	12.50
5 5930594	Seal	.20	21 3664720	Upper catch	1.90
6 924534	Ring	1.10	22 3664816	Lower catch	.85
7 925000	Sealed beam	1.25	23 3663711	Cowl brkt., 1946-48	1.45
8 924535	Ring	.65	24 3663756	Spring	.45
9 5932798	Sub body	4.35			
10 3691000	Gasket	.17	AIR SCOOPS		
11 5936754	Socket wiring	1.40	25 3681350	Baffle, up., 1946-47	3.45
			3681331	Center, 1946-47	.85
			26 3647037	Baffle, low., 1947-48	3.75
			3664852	Bracket	.65
			27 3663820	Support bracket	4.45
			13 5936809	Lens, 1946	1.10
			13 5936809	Lens, 1947-48	.75
			14 5936031	Gasket, 1946	.15
			14 5936808	Gasket, 1947-48	.18
			15 5933167	Socket wire, 1946-47	.65
			28 3665519	Cover	.30
			29 3664113	Fndr. baf., 1946-47	1.75
			28 3681337	Fender extension	2.00
			30 3665691	Cowl baffle, 1946-48	.23

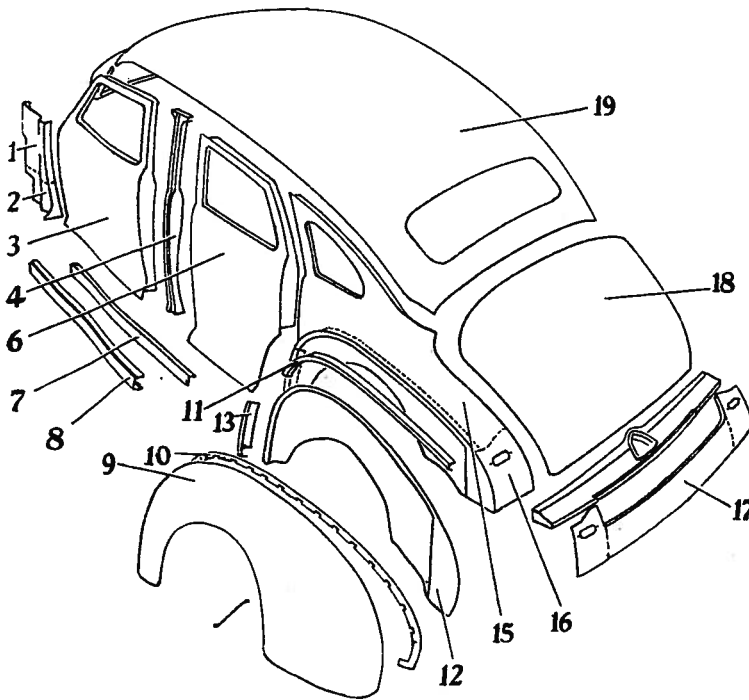


WINDSHIELD ASSEMBLY 2-DOOR, 4-DOOR COUPES

Item Part No.	Description	Price	Item Part No.	Description	Price
1 4114948	Windshield midg., Ser. 1000	1.15	4 4161375	Midg.	4.90
1 4114948	Midg., sta. wag.	1.15	4125417	Channel, 1946-48	
1 4125921	Midg., 1007	1.15		sta. wag.	2.30
1 4114980	Midg., Ser. 1200	.85	4114861	Channel, 1946-48, Ser. 1000	2.30
3 4088226	Rubber, Inner, 1946	.30	4125388	Channel, No. 475976	2.75
3 4088434	Lower 1946-48, Ser. 1200	.06	2 4115809	Glass, 1946-48 sta. wag.	11.25
4 4101927	Reveal midg., Ser. 1000	1.75	2 4125235	Glass, 1946-48, 1007	9.75
4 4114444	Midg., sta. wag.	2.50	2 4099931	Glass, 1946-48 closed	9.45
4 4125687	Midg., 1946-48 1007	2.50	4059012	Glass	1.60

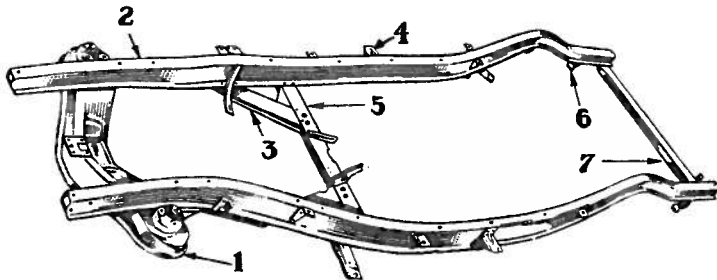
BODY PARTS 1946 to 1948 CHEVROLET

Series DJ, EJ and FJ; DK, EK and FK. ALL BODY STYLES



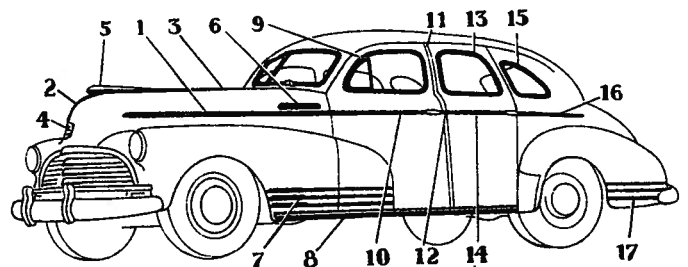
BODY SHEET METAL ALL 4-DOOR & STATION WAGONS

Item Part No.	Description	Price	Item Part No.	Description	Price
4132441	Cowl, assy., 4 dr., sta. wag.	69.00	9 609657	Rear fender	11.85
4132433	Cowl, Aero. sed.	69.00	10 3658822	Anti-squeak	...
1 4132431	Side panel, up.	4.30	11 4450602	Fndr., attach., sec.	8.50
2 4550589	Lower	1.80	3658019	Fender brace	.30
FRONT DOOR					
3 4132517	Panel, 1946, 1019, 1219	13.25	12 4550668	Wheelhouse, 1946-48	7.50
3 4151338	Panel, 1946-48, 1019, 1219	13.25	13 4550682	Lower lock, 1069	3.25
3 4161322	Panel, 1069	13.25	13 4550698	Low. lock, 1019-1219	3.25
CENTER PILLAR					
4 4148109	Pillar, 1019-1219	14.00	13 3847257	Pan. filler, sta. wag.	1.25
4 4148111	Pillar, 1069	14.00	14 3847256	Pan. filler, sta. wag.	17.50
4550581	Lower, 1019-69-1219	2.60	QUARTER PANEL		
3847255	Lower, sta. wag.	...	15 4148087	Panel, 1069	35.00
REAR DOOR					
6 4144335	Panel, 1019-1219	13.25	15 4148085	Panel, 1019-1219	35.00
6 4144337	Panel, 1069	13.25	15 3847273	Panel, sta. wag.	150.00
ROCKER PANEL					
7 4132451	Panel, inner	3.45	16 4148803	Pan., low., 1019-1219	1.45
8 4148903	Panel, outer	3.45	16 4148951	Panel, lower, 1069	1.45
REAR END PAN					
			17 4103104	Pan., 1069-1019, 1219	4.30
			17 4162706	Pan., sta. wag.	6.90
			17 4148022	Pan., 1019-1219	4.30
REAR DECK LID					
			18 4161992	Lid	23.50
ROOF PANEL					
			19 4114513	Panel, 1019-1219	43.50
			19 4128067	Panel, 1069	43.50
			19 4124051	Panel	4.05



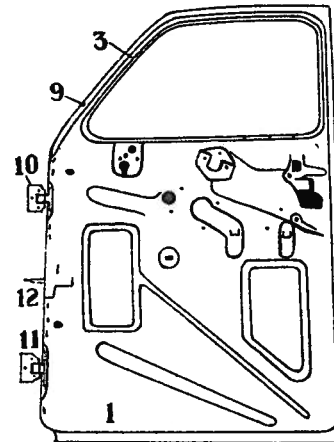
FRAME ASSEMBLY

Item Part No.	Description	Price	Item Part No.	Description	Price
1 3661896	Crossmember, F...	18.00	4 3657684	Brkt. No. 5	.30
2 606823	Side member, exc. CBL	20.00	4 3659095	Brkt. No. 5, CBL	.45
3 3657531	Brace	2.90	5 3657659	Crossmember, exc. CBL	3.75
4 3657943	Brkt. No. 3, 2	.45	6 3857421	Hanger	1.15
4 3657677	Brkt. No. 4, CBL	.60	7 3657400	Crossmember, rear	3.75



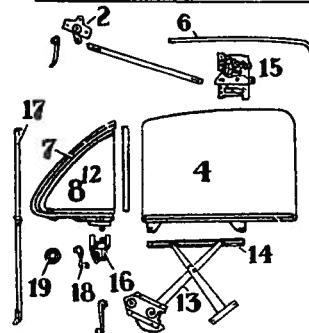
BODY MOULDINGS 4-DOOR SEDANS

Item Part No.	Description	Price	Item Part No.	Description	Price
1 3684363	Hood midg., 1947	1.50	10 4102157	Midg., out., 1946-47	.85
1 3681738	Molding, 1946	1.75	10 4161820	Midg., outer, 1946-48, station wagon	.50
2 3684608	Molding, 1947	.60	CENTER PILLAR MOLDING		
3 3684363	Molding, 1947	1.75	11 4125945	Molding, upper	.40
4 3681683	Emblem, 1947-48	1.50	12 4114426	Molding, lower	.40
4 3684351	Emblem, 1947, E.J., EK	1.50	12 4125296	Molding, lower	.40
4 3687425	Emblem, 1948, E.J., FK	1.25	REAR DOOR MOLDINGS		
5 3681650	Ornament, 1946	3.45	13 4114309	Reveal midg., 1946-47, 1019	2.30
5 3684376	Ornament, 1947-48	3.00	14 4120854	Midg., '46-48, 1069	5.45
6 3681489	Name plate, 1946, Df.	.60	14 4162532	Midg., up., '48, 1019	.90
6 3681490	Name plate, 1946, Df.	.60	14 4162534	Lower, 1948, 1019	.90
6 3681678	Name plate	.60	14 4121563	Molding, 1946, 1019	2.30
6 3684199	Name plate, 1947-48, E.J., FJ	1.65	14 4125947	Molding, 1947, 1219	.80
6 3684203	Name plate, EK., FK	1.65	14 4125949	Molding, 1947, 1069	.80
6 3684207	Name plate, DK., FK	1.65	14 4125293	Midg., '46, 1019, 1219	1.63
			14 4125295	Molding, 1946, 1069	1.85
REAR QUARTER REVEAL					
			15 4114315	Reveal midg., 1946-47, 1019	2.00
			15 4162536	Midg., 1948, 1019	2.00
FENDER CAP MOLDING					
7 3664321	Molding, upper	1.15	REAR QUARTER BELT MOLDING		
7 3664329	Molding, center	1.15	16 4116298	Midg., lower, 1946	.45
7 3664333	Molding, lower	1.15	16 4125726	Molding, 1947	.65
8 3681635	Sill molding	3.85	16 4125737	Midg., up., 1069	...
9 4125942	Door molding, up., 1019-1219	.90	16 4162562	Midg., 1069	.65
9 4125944	Midg., up., 1069	.90	16 4125751	Midg., 48, 1019-1219	.46
10 4125289	Midg., low., 1946	2.00	REAR FENDER MOLDINGS		
10 4125291	Midg., low., '46-1069	2.00	17 3664279	Molding, upper	1.15
			17 3664281	Molding, center	1.15
			17 3664283	Molding, lower	1.15



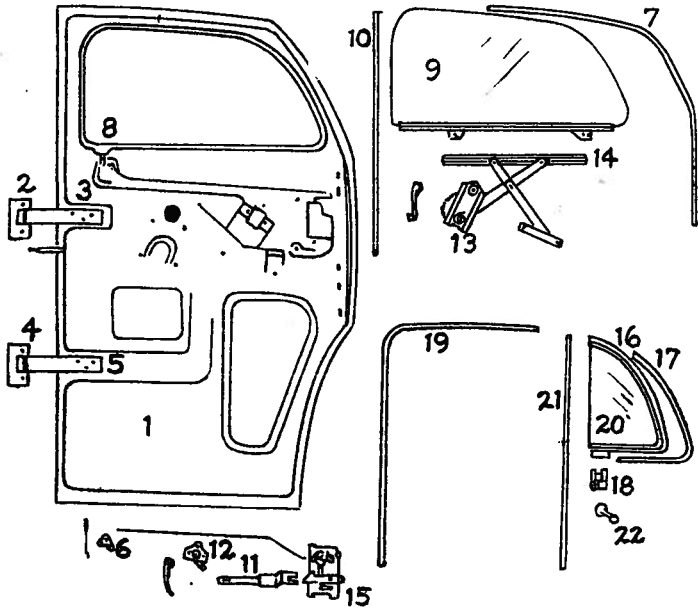
FRONT DOOR 4-DOOR SEDANS

Item Part No.	Description	Price
1 4161320	Door assembly	38.50
2 4133004	Control	.85
2 4131438	Control	.28
3 4143076	W. strip	1.55
4 4122412	Glass	7.10
4132641	Knob, 1946	.12
4147592	Knob, 1947-48	.12
6 4131361	Channel	3.15
7 4132312	Vent assembly	10.95
8 4122423	Vent glass	3.35
9 3664645	Bumper	.06
10 4125228	Hinge, upper	2.75
11 4125273	Hinge, lower	2.75
12 4131096	Link	...
13 4099412	Regulator	2.65
14 4121550	Cam	...
15 4113800	Lock	4.25
16 4131136	Regulator	3.80
17 4146805	Channel, 1946	3.15
17 4161372	Channel, 1069	3.15
17 4161381	Channel, closed	3.15
18 4147119	Handle, 1946-47, Ser. 1000, 1200	1.25
18 4146765	Handle, 1946-48, Ser. 1200	1.25
18 4161357	Handle	1.25
19 4146889	Plate	.35
19 4125997	Plate	.30
3663517	Door cap	3.95
3664729	Cap brace	.23



CHEVROLET 1946 to 1948 BODY PARTS

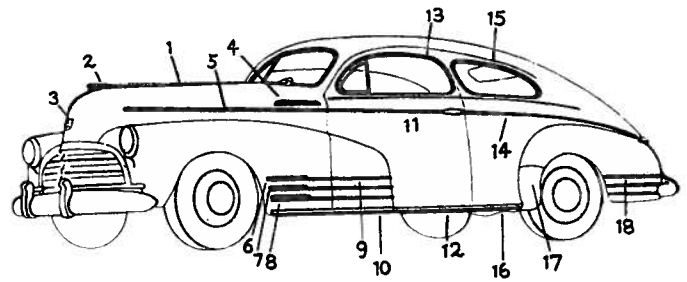
Series DJ, EJ and FJ; DK, EK and FK. ALL BODY STYLES



REAR DOOR

4-DOOR SEDANS

Item Part No.	Description	Price	Item Part No.	Description	Price	
1 4132604	Door, '46, 1019, 1219	33.75	13 4110673	Rgltr., 1019, 1219	3.80	
1 4128909	Door, 1946, 1069	33.75	13 4121547	Regulator, 1069	3.80	
1 4144114	Door, 1947-48, 1019, 1219	33.75	14 4114451	Cam, 1019-69-1219	.35	
1 4144086	Door, 1947-48, 1069	33.75	15 4125852	Lock	3.95	
2 4114481	Hinge, upper	1.65	16 4120821	Vent. assem.	10.35	
3 4117059	Strap, upper	1.35	17 4128374	Weatherstrip	1.00	
4 4118498	Hinge, lower	1.15	18 4099411	Regulator	2.65	
5 4099759	Strap, lower	1.35	19 4128648	Channel lock	3.75	
6 4114410	Link	.25	20 4128370	Glass	.60	
7 4143077	Wthstp., 1019, 1219	1.75	4101913	Grommet, upper	.12	
7 4131739	Wthstp., 1946-48	.40	4101915	Grommet, lower	.12	
8 4147592	Knob, 1947-48	.12	178751	Channel, upper	10/.30	
8 4132641	Knob, 1946	.12	4125838	Deflector, 1946	1.75	
9 4115830	Glass, 1019, 1219	8.95	4161374	Deflector, 1947-48	3.15	
9 4122413	Glass, 1069	6.65	21 4120897	Channel	9.80	
10 4115135	Channel, 1019, 1219	.70	4131386	Molding, 1946	9.80	
10 4124058	Channel, 1069	.70	4161407	Molding, 1947-48	9.80	
11 4131417	Link contrl, 1019, 1219	.30	4102157	Weatherstrip	.85	
11 4131421	Link control, 1069	.35	4116737	Bead	1.05	
12 4133004	Remote control	.85	4147113	Molding	.90	
			22 4147119	Handle, inside, '46	1.25	
			22 4161357	Hdle., inside, '47-48	1.25	
				4146889	Plate	.35
				4078002	Spring	.06



BODY MOLDING

2-DOOR SEDANS HOOD MOLDING

Item Part No.	Description	Price	Item Part No.	Description	Price
1 3684363	Molding, 1947	1.50	12 4125277	Mldg., low., '46, 1007	2.00
1 3681738	Molding, 1946	1.75	12 4125287	Molding, lower, 1946, 1011, 1211	2.00
1 3664608	Molding, 1947	.60	12 4162496	Mldg., '48, 1011, 1211	2.00
1 3681738	Molding, 1946	1.75	12 4162498	Mldg., 1948, 1007	2.00
1 3684363	Molding, 1947-48	1.50	13 4136946	Window mldg., 1946, 1007	11.50
3 3681883	Emblem, 1946	1.25	13 4147730	Mldg., 1946, 1011	9.80
3 3687425	Emblem, 1948	1.25	13 4147715	Mldg., 1946, 1211	8.05
2 3681650	Ornament, 1946	3.45	13 4161360	Mldg., 1947-48, 1211	8.05
2 3684376	Ornament, 1947-48	3.00	13 4161388	Mldg., 1947-48, 1011	9.80
4 3681489	Name pl., 1946, DJ	.60	13 4161401	Mldg., 1947-48, 1007	11.50
4 3681490	Name plate, 1946	.60	14 4116288	Quarter panel mldg., 1946	.45
4 3684199	Name plate, '47-48	1.65	14 4125726	Molding, 1946-47	.65
4 3684203	Name plate, 1947	1.65	14 4162562	Mldg., '48, 1011, 1211	.65
4 3684207	Name plate, 1947	1.65	14 4162564	Mldg., 1948, 1007	.66
5 3681485	Cover, 1946	6.25	15 4114311	Quarter window, 1946-47, 1011	2.30

FRONT FENDER MOLDING

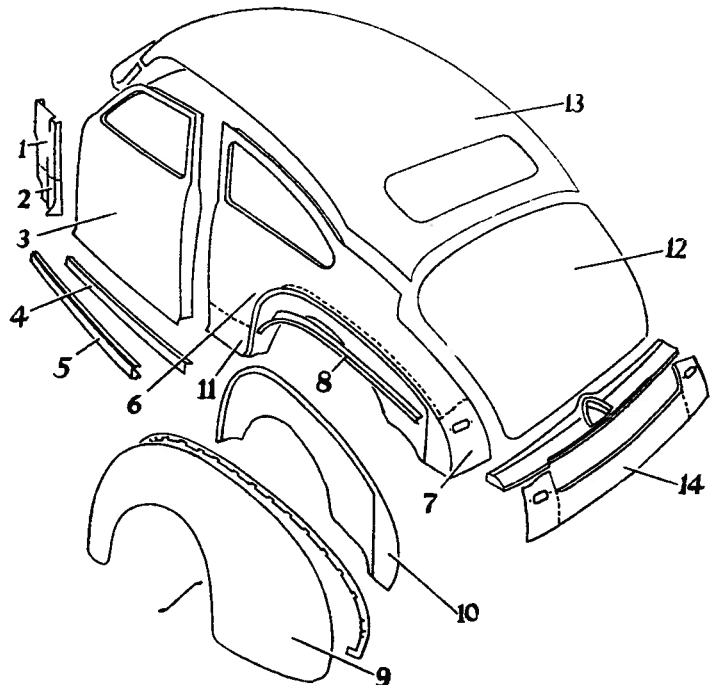
2-DOOR SEDANS

6 3664337	Left upper	1.15	17 986001	Chrome 3664885 Retainer	.28
7 3664335	Center molding	1.15	18 3664279	Molding, 1007	1.15
8 3664319	Lower molding	1.15	18 3664281	Molding	1.15
9 3664321	Door cap molding	1.15	18 3664283	Molding	1.15
9 3664329	Molding	1.15			
9 3664333	Molding	1.15			
10 3681635	Sill molding	3.85			
11 4125980	Door molding, 1946-47, 1007	.90			
11 4125938	Mldg., 1946-47, 1011, 1211	.90			

BODY SHEET METAL

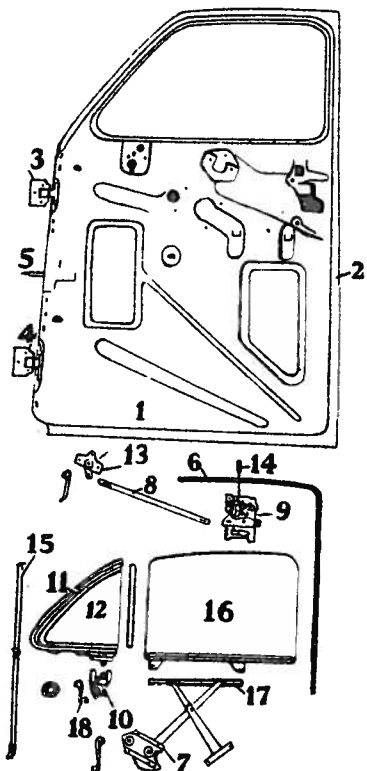
2-DOOR SEDANS

Item Part No.	Description	Price	Item Part No.	Description	Price
4132433	Cowl Assy., 1946-48, 1007	69.00	8 4550591	Fender attaching, 1946-47, 1007	8.50
1 4132431	Side panel, 1946-48	4.30	8 4550602	Attaching, 1946-48, 1011, 1211	8.50
2 4550589	Panel, low., '46-48	1.80	9 609857	Rear fender	11.85
3 4161425	Door panel, '46, 1007	15.55	10 4550668	Wheelhouse, 46-48	7.50
3 4161326	Panel, 1946, 1011, 1211	15.55	11 4550593	Lower front, 1946-48	3.75
3 4161426	Panel, 1946-48, 1007	15.55	4103104	Rear end pan, '46-48	4.30
3 4161326	Panel, 1946-48, 1011-1211	15.55	4162709	Pan w. cross bar, 1946-48, 1007	7.50
4 4132451	Rocker, in., 1946-48	3.45	4148022	Pan less bar, 1946-48, 1011	4.30
5 4148903	Rocker, out., '46-48	3.45	12 4149869	Deck lid, 1946-48, 1007	25.50
6 4148083	Quarter panel, 1946-48, 1011, 1211	44.50	12 4149870	Lid, 1946-48, 1011, 1211	19.50
6 4148088	Panel, 1946-48, 1007	44.50	13 4114513	Roof panel, 1946-48, 1011, 1211	43.50
7 4148803	Lower panel, 1946-48, 1011, 1211	1.45	13 432440	Panel, 1946-48, 1007	43.50
7 4147128	Lower panel, 1946-				



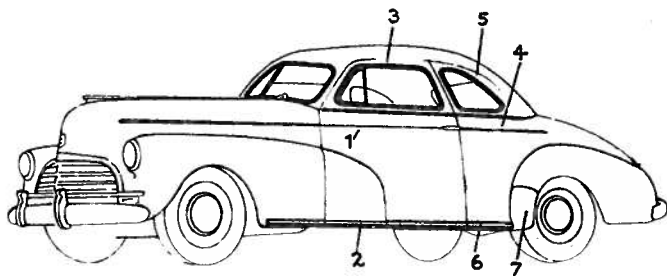
BODY PARTS 1946 to 1948 CHEVROLET

Series DJ, EJ and FJ; DK, EK and FK. ALL BODY STYLES



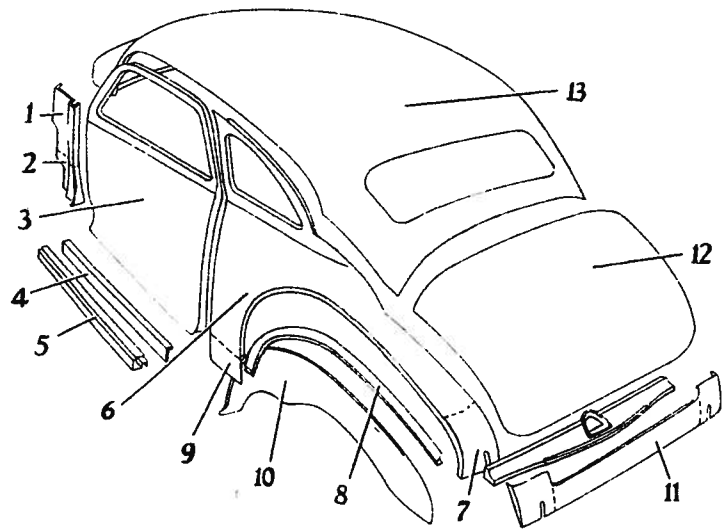
FRONT DOOR 2-DOOR SEDANS

Item	Part No.	Description	Price
1	41861324	Door assembly	44.75
2	4132505	Panel, '46, 1011, 1211	15.55
2	4161326	Panel, '47, 1011, 1211	15.55
3	4125228	Upper hinge	2.75
4	4125273	Lower hinge	2.75
5	4132474	Link	.50
6	4125527	Wthstp., #79841	1.75
7	4099412	Regulator	2.65
8	4114453	Link control	.28
9	4113800	Door lock	4.25
10	4125878	Regulator	4.10
11	4114225	Vent. assy.	10.95
12	4115803	Vent glass	3.35
13	4133004	Control	.85
14	4132641	Knob, 1946, DK	.12
14	4147592	Knob, 1947 EK, 48 FK	.12
15	4161381	Channel	3.15
16	4117561	Glass	9.45
17	4073827	Cam	.30
18	4147119	Handle, 1946, 1069	1.25
18	4099411	Handle, 1947, 1069	2.65



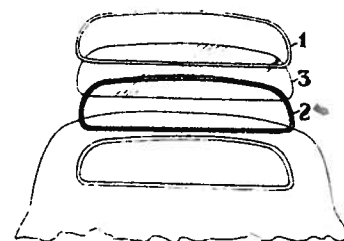
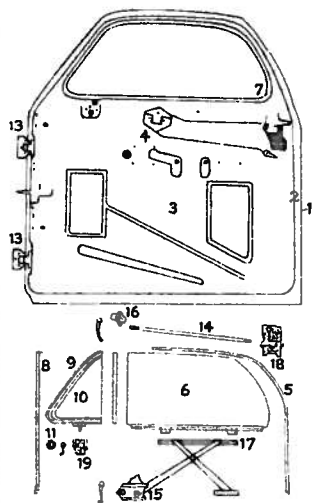
BODY MouldING COUPES

Item	Part No.	Description	Price
1	4125942	Door moulding, 1946-47, 1027-27-B	.90
1	4125940	Molding, 1947, 1227-27-B	.90
2	4125287	Molding, lower, 1946, 1027-27-B, 1227-27-B	2.00
2	4162500	Molding, 1948	2.00
3	4147728	Window moulding, 1946, 1027	9.80
3	4147717	Mldg., '46, 1227-27-B	8.05
3	4161362	Mldg., 1947-48, 1227, 27-B	8.05
3	4161386	Mldg., 1947-48, 1027	9.80
4	4162571	Quarter panel mldg., 1946, 1027, 1227-27-B	.45
4	4116288	Molding, 1946	.45
4	4125725	Molding, 1946-47	.65
5	4114313	Quarter window, 1946-47, 1027-27-B	2.00
5	4162540	Molding, 1948, 1027	2.25
6	3681635	Sill mldg., 1946-48	3.85
7	3664883	Fndr. shield, '46-48	1.90
	3664885	Retainer, 1946-48	.23



BODY SHEET METAL COUPES

Item	Part No.	Description	Price
	4132441	Cowl assy., 1946-48	69.00
1	4132431	Slide panel, 1946-48	4.30
2	4550589	Panel, low, 1946-48	1.80
3	4114387	Door panel, 1946	13.80
3	4132491	Panel, 1946	
3	4161422	Panel, 1946-48	15.55
4	4132451	Rocker, in., 1946-48	3.45
5	4148903	Rckr, out., 1946-48	3.45
6	4148081	Quar. panel, 1946-48	39.75
7	4147012	Low. panel, 1946-48	1.45
8	4550591	Fender attaching, 1946-48, all coupes	8.50
	609657	Rear fender, 1946-48	11.85
10	4550668	Wheelhouse	7.50
	4550593	Low. front, 1946-48	3.75
11	4103104	Rear end pan, '46-48	4.30
11	4162707	Pan w. cross bar, 1946-48	6.90
11	4148022	Pan less cross bar, 1946-48	4.30
11	4148023	Pan less bar, 1027-B, 1227-B	4.05
12	4147955	Deck lid, 1946-48, 1027, 1227	25.50
13	4114515	Roof panel, 1946-48	35.50



REAR WINDOW 4-DOOR SEDANS

Item	Part No.	Description	Price
1	4114980	Mldg.	.85
2	4116260	Channel	4.50
3	4115809	Glass	11.25

REAR WINDOW 2-DOOR SEDANS

Item	Part No.	Description	Price
1	4125671	Mldg., 1011	2.75
1	4125922	Mldg., 1007	2.75
2	4125208	Channel, 1007	1.15
2	4125397	Channel, 1011	1.15
3	4116683	Glass, closed	11.50
3	4125275	Glass, 1007	13.95
	4114979	Rubber, Ser. 1200	2.75
	4125388	Rubber, 1007-1011	2.75

REAR WINDOW COUPES

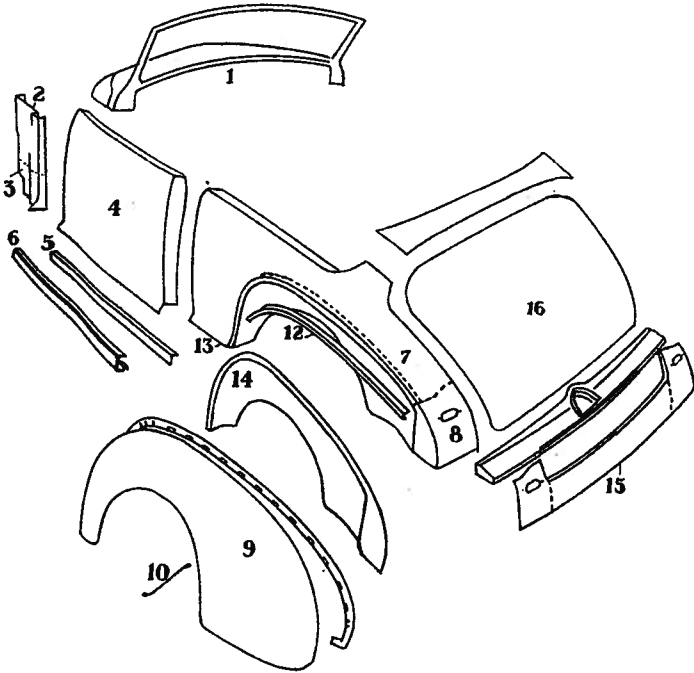
Item	Part No.	Description	Price
1	4125671	Mldg., 1027-27-B	2.75
2	4125397	Channel, 1027-27-B	1.15
3	4116683	Glass	11.50
	4114979	Rubber, Ser. 1200	2.75
	4125388	Rubber, 1027-27-B	2.75

DOOR ASSEMBLY COUPE

Item	Part No.	Description	Price
1	4132491	Door panel, 1946	15.55
2	4114387	Panel, 1946	13.80
2	4161422	Panel	15.55
3	4132552	Door assy., 1946, DK, DJ	38.50
3	4161320	Door assy., 1947, EK, EJ, 48, FK, FJ	38.50
4	4133004	Control	.85
5	4143072	Wthstp., #P21459	1.55
6	4115804	Glass	8.95
7	4132641	Knob, 1946	.12
7	4147592	Knob, 1947-48	.12
8	4146805	Channel, 1946	3.15
8	4161381	Channel, 1947-48	3.15
9	4114225	Vent. assy.	10.95
10	4115803	Vent. glass	3.35
11	3664645	Bumper	.06
13	4125228	Hinge, upper	2.75
13	4125273	Hinge, lower	2.75
14	4132474	Link	.50
15	4099412	Regulator	2.65
16	4114453	Link control	.30
17	4073827	Cam	.30
18	4113800	Door lock	4.25
19	4125878	Regulator	4.10

CHEVROLET 1946 to 1948 BODY PARTS

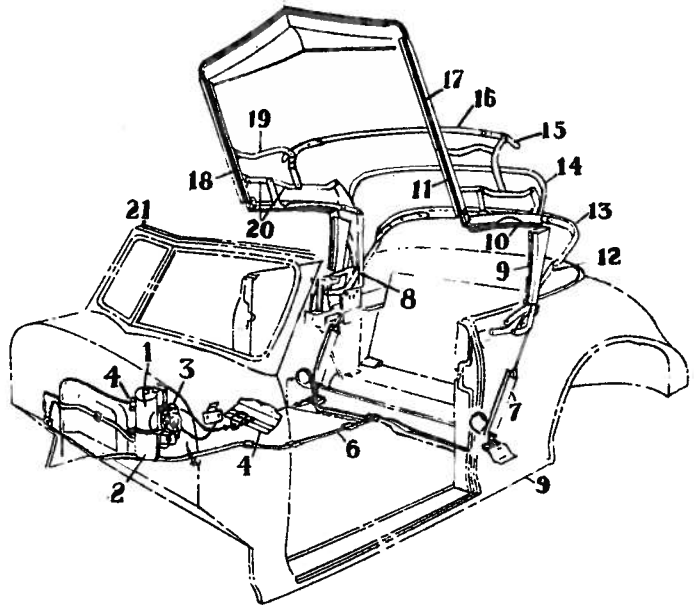
Series DJ, EJ and FJ; DK, EK and FK. ALL BODY STYLES



BODY SHEET METAL

CABRIOLET

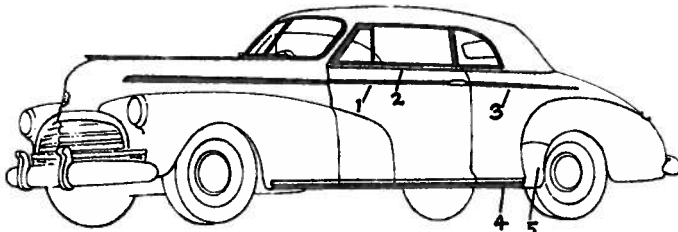
Item Part No.	Description	Price	Item Part No.	Description	Price
1 4139347	Cowl assy., 1946-48	69.00	10 3658019	Brace	.30
2 4132431	Side panel, 1946-48	4.30	3658822	Anti-squeak	...
3 4650589	Panel, low., 1946-48	1.80	12 4650891	Fender attaching, 1946-48, 1069	8.50
4 4132499	Door panel, 1946...	...	13 4650589	Lower front, '46-48	3.75
4 4161430	Panel, 1946-8	13.35	14 4650668	Wheelhouse, 1946-48	7.50
5 4132451	Rckr., in., 1946-48..	3.45	15 4103104	Rear end pan, '46-48	4.30
6 4148903	Rckr., out., 1946-48	3.45	15 4148022	Pan less cross bar, 1946-48	4.30
7 4139795	Quar. panel, '46-47.	...	16 4147955	Deck lid, 1946-48, 1069	25.50
7 4161000	Panel, 1946-48	44.50			
8 4147012	Low. panel, 1946-48	1.45			
9 609657	Rear fender	11.85			



CONVERTIBLE TOP

1 4161766—Motor pump, 1946-

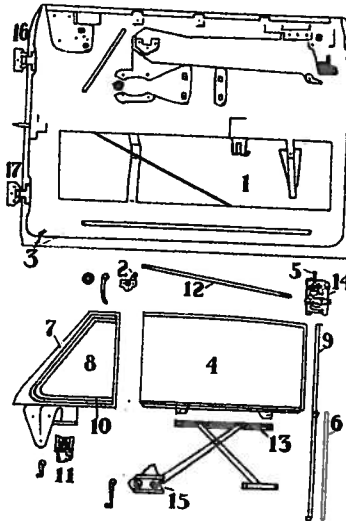
Item Part No.	Description	Price	Item Part No.	Description	Price
47		43.50	15 4147850	Reservoir	2.30
2 4161898	Reservoir	2.30	16 4134948	Valve assy.	6.90
3 4149731	Valve assy.	6.90	17 4161974	Solenoid	2.60
4 4149784	Solenoid	2.60	18 4114982	Control knob	1.45
5 4149758	Control knob	1.45	19 4147881	5/16 copper tubing	4.00
6 348750	5/16 copper tubing	4.00	20 4147858	Cylinder lift	10.35
7 4149728	Cylinder lift	10.35	8 4147847	Lower link	2.90
8 4147847	Lower link	2.90	9 4132260	W/strip, 1946-47	1.25
9 4132260	W/strip, 1946-47	1.25	10 4162302	W/strip, 1948	1.25
10 4162302	W/strip, 1948	1.25	11 4132246	W/strip, up.	1.15
11 4132246	W/strip, up.	1.15	12 4147864	Slat iron, rear	5.20
12 4147864	Slat iron, rear	5.20	13 4134963	Rear bow	8.05
13 4134963	Rear bow	8.05	14 4139634	Bow No. 1	28.75
14 4139634	Bow No. 1	28.75			



BODY Moulding

CABRIOLET

Item Part No.	Description	Price	Item Part No.	Description	Price
1 4125940	Door midg., 1946-47	.90	3 4162573	Quar. midg., 1948..	.46
1 425287	Molding, 1946	2.00	3 4116288	Molding, 1946	.46
1 4182494	Molding, 1948	1.85	3 4125726	Molding, 1946-47	.85
2 4147692	Wndw. midg., 1946	2.90	4 3681635	Sill midg., 1946-48	3.85
2 4161409	Molding, 1947-48	2.90	5 3664883	Fndr. shield, 1946-48	1.90



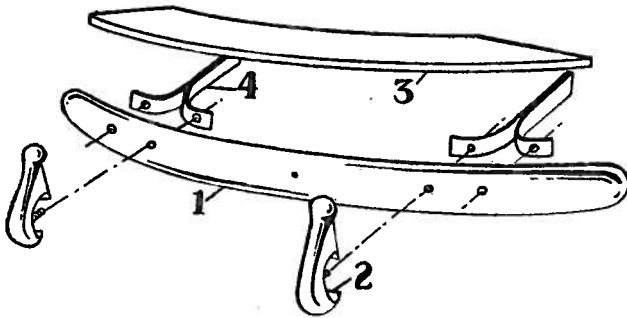
DOOR ASSEMBLY

CABRIOLET

Item Part No.	Description	Price
4161430	Door panel	15.55
1 4161428	Door	44.75
2 4133004	Control	.85
8 432082	Weatherstrip	1.75
4 4132199	Glass	10.25
5 4132641	Knob, 1946	.12
5 4147592	Knob, 1947-48	.12
6 4125822	Channel	14.40
7 4114613	Vent. assy.	37.40
8 4115813	Glass	3.65
9 4118502	Channel	3.85
10 4119036	Frame	13.25
11 4099412	Regulator	2.65
12 4114458	Control link	.28
13 4073827	Cam	.30
14 4113800	Door lock	4.25
15 4125878	Regulator	4.10
16 4125228	Hinge, upper	2.75
17 4125273	Hinge, lower	2.75

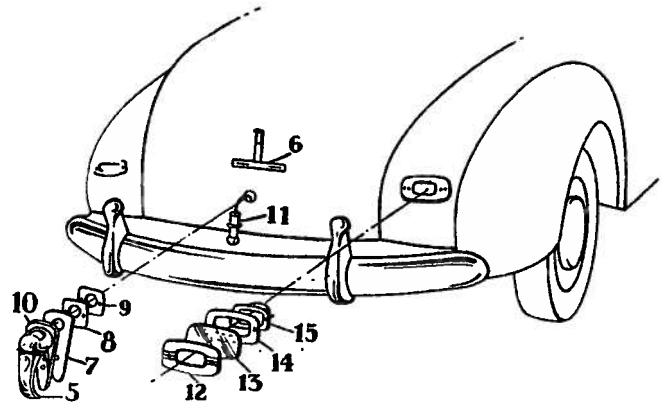
BODY PARTS 1946 to 1948 CHEVROLET

Series DJ, EJ and FJ; DK, EK and FK. ALL BODY STYLES



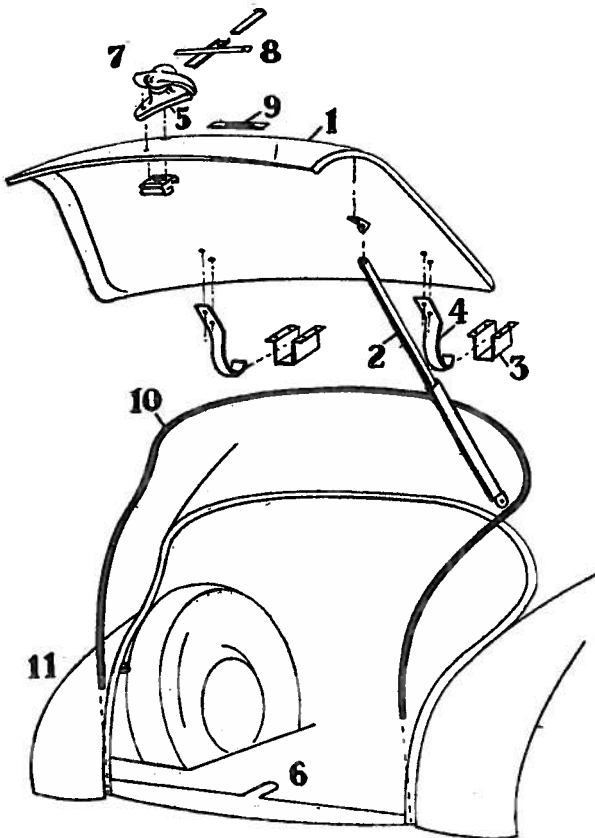
REAR BUMPER

Item Part No.	Description	Price	Item Part No.	Description	Price
1	3681220—Face bar	10.50	3	3681679—Deflector	3.45
2	3681918—Guard	2.40	4	3681299—Attaching bar	1.25



LAMP AND LICENSE BRACKET

Item Part No.	Description	Price	Item Part No.	Description	Price
5	606365—Lamp, complete, 1946-48	4.65	13	920626—Lens, 1946-47	.60
6	914658—License bracket	...	13	5931432—Lens, all pengr.	.65
7	3663784—Spacer, 1946	.02	13	5930829—Lens, glass, Fleetline sedan	.70
8	3657835—Pad, 1946	.17	13	919044—Lens, '46-47 sta. wag.	.90
9	3663925—Molding	1.40	13	5937794—Lens, plastic	.65
10	5932782—Gasket	.05	14	5931433—Gasket, all pass.	.10
11	5932781—Lens, 1946-47	.35	15	911771—Cork, sta. wagon	.05
12	5932806—Socket stop lamp and tail lamp	.35		3657835—Pad	.17
13	5931381—Rim, 1946-47	.95		3662259—Pad, Fitin. sedan	.30



REAR DECK ASSEMBLY

Item Part No.	Description	Price
1	4161992—Deck lid	23.50
2	4114964—Support	1.75
3	4135033—Hinge box	1.75
4	4120735—Hinge	1.65
5	4129651—Lock	2.75
6	4113816—Striker	.30
7	4125644—Handle	3.65
8	606365—Lic. brkt.	4.65
9	4129243—Emblem, Job 1069	1.15
10	4129242—Fleetline	.60
11	4131754—W/strip	3.95
11	4114321—Bumper	.06

REAR DECK ASSEMBLY

Item Part No.	Description	Price
1	4149870—Lid, 1947-48	19.50
1	4132410—Lid, 1946	19.50
2	4114965—Support brkt.	1.75
3	4101843—Hinge box	2.88
4	4120735—Hinge strap	1.65
5	4129651—Lock	2.75
6	4113816—Striker	.30
7	4125644—Handle	3.65
8	606365—Lic. brkt. lamp	4.65
9	3664044—Emblem	.60
10	4131754—W/strip	3.95
11	4114321—Bumper	.06

REAR DECK ASSEMBLY

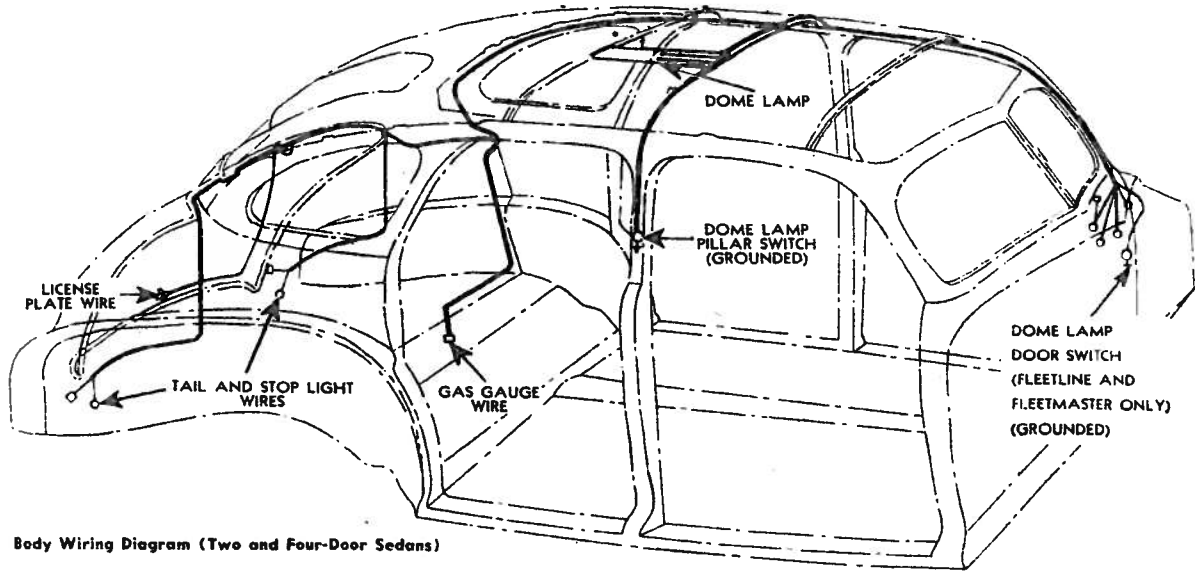
Item Part No.	Description	Price
1	4149870—Lid	19.50
2	4114966—Support brkt.	1.65
3	4120734—Hinge box	1.75
4	4120735—Hinge strap	1.65
5	4129651—Lock	2.75
6	4131037—Striker, Ser. 1007	.40
7	4125644—Handle	3.65
8	606365—Lic. brkt. lamp	4.65
9	4129243—Emblem, 1007	1.15
9	4129242—Fleetline, 1007	.60
10	4131754—W/strip	3.95
11	4114321—Bumper	.06

REAR DECK ASSEMBLY

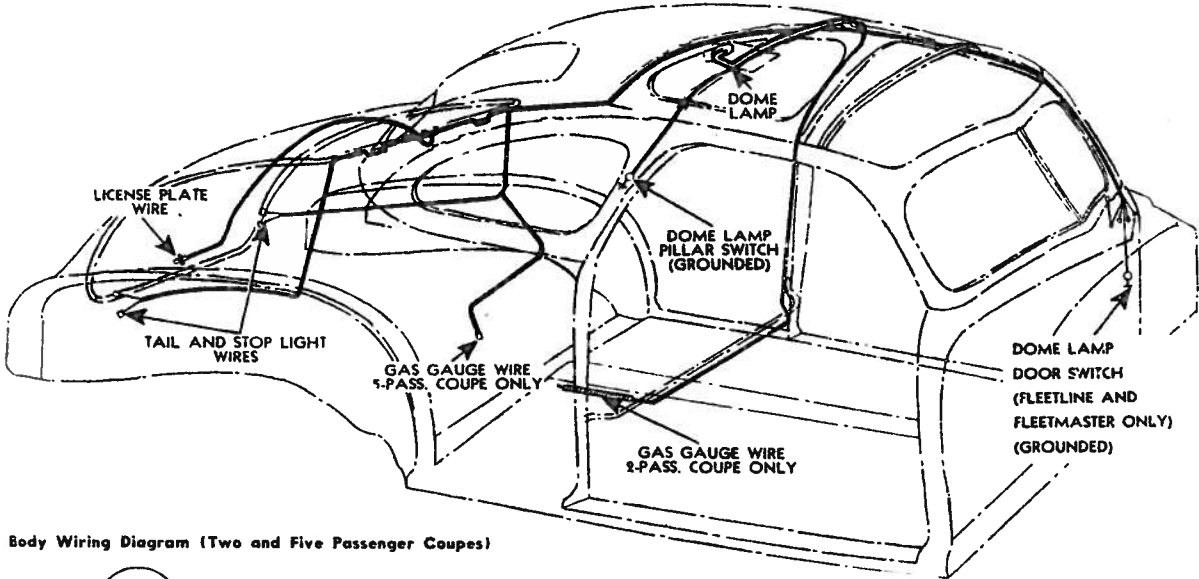
Item Part No.	Description	Price
1	4132410—Deck lid, 1946 dk.	...
1	4147955—Lid, 1947 ek, 48 fk	25.50
2	4114965—Support brkt.	1.65
3	4147638—Hinge box	2.90
4	4120735—Hinge strap	1.65
5	4129651—Deck lock	2.75
6	4113816—Striker	.30
7	4125644—Handle	3.65
8	606365—Lic. brkt. lamp	4.65
9	3664044—Emblem	.60
10	4131754—W/strip	3.95
11	4114321—Bumper	.06

CHEVROLET 1946 to 1948 BODY WIRING

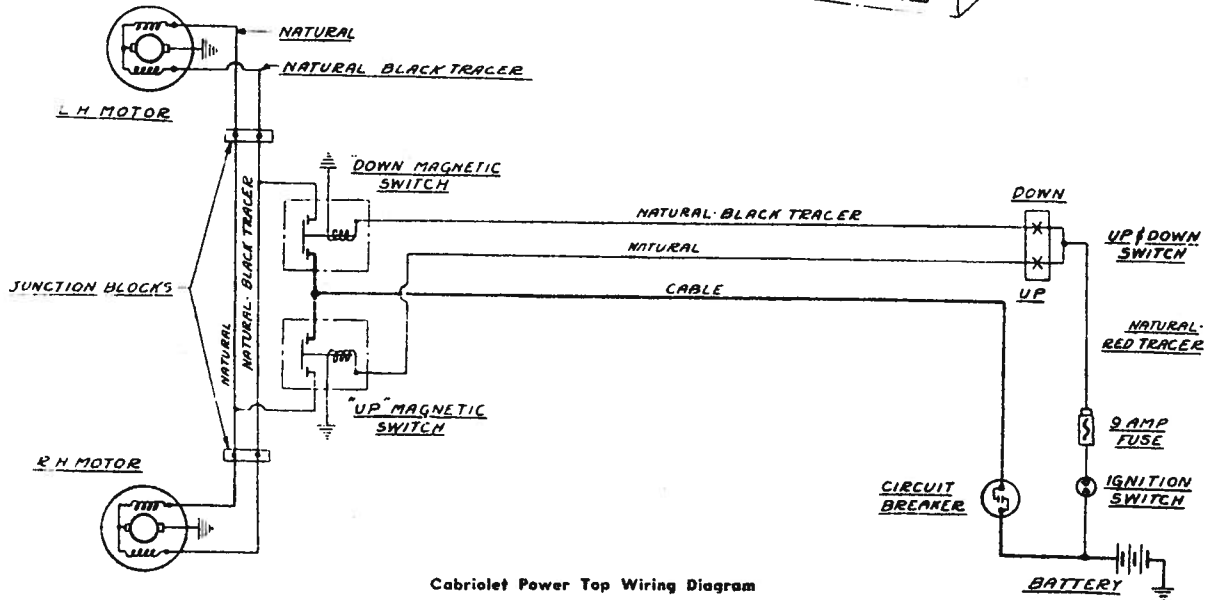
Series DJ, EJ and FJ; DK, EK and FK. ALL BODY STYLES



Body Wiring Diagram (Two and Four-Door Sedans)



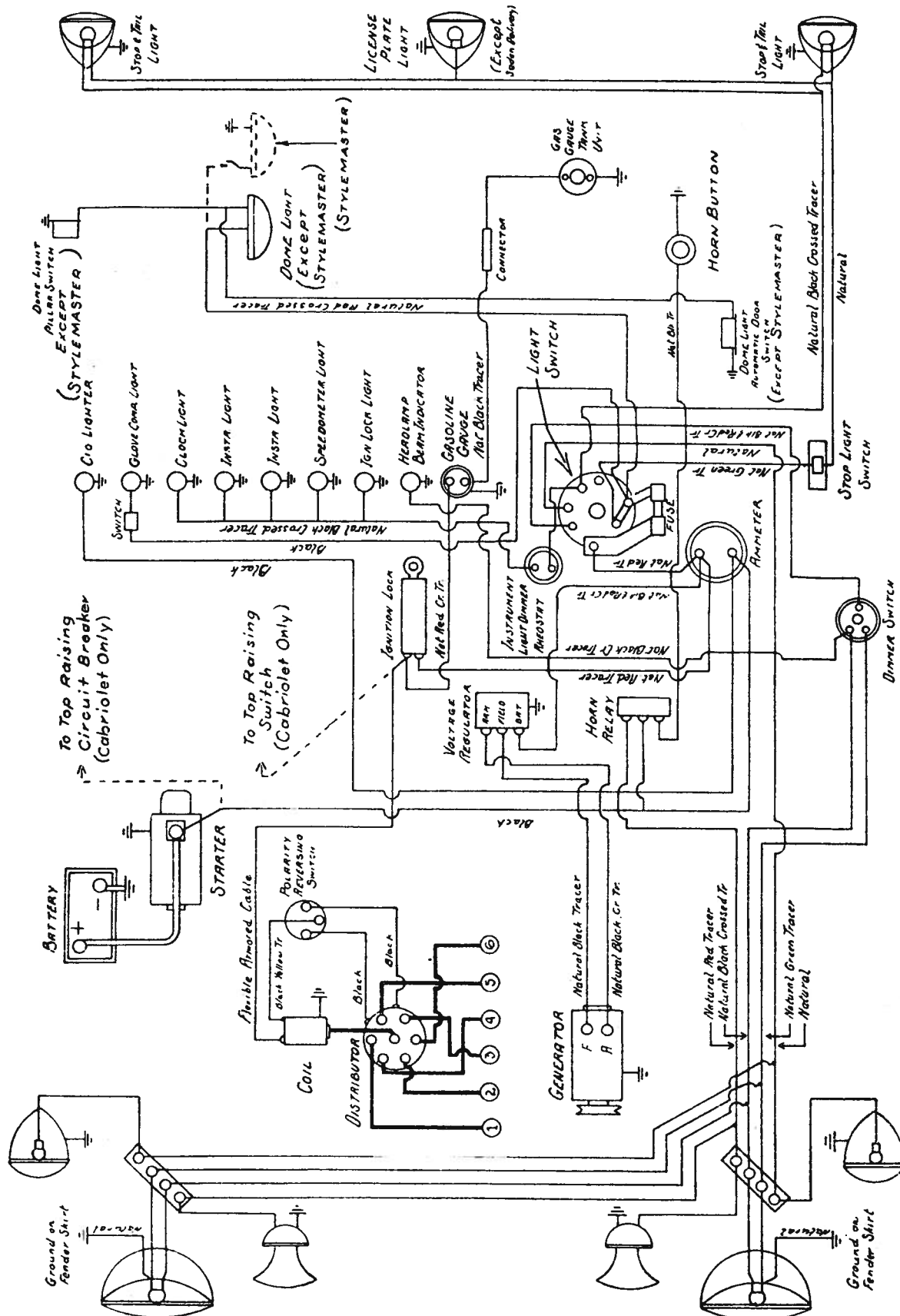
Body Wiring Diagram (Two and Five Passenger Coupes)



Cabriolet Power Top Wiring Diagram

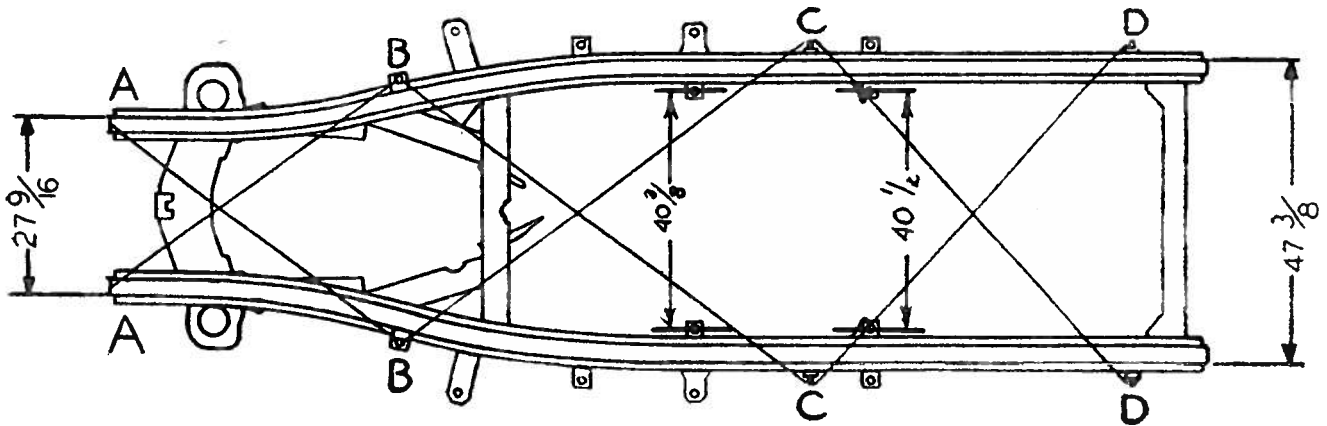
CHASSIS WIRING 1946 to 1948 CHEVROLET

Series DJ, EJ and FJ; DK, EK and FK. ALL BODY STYLES

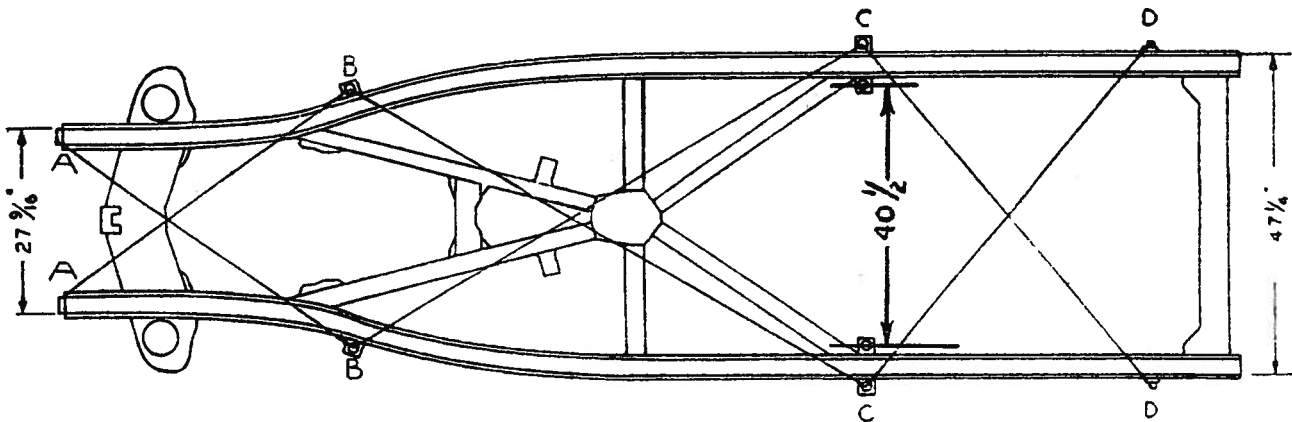


CHEVROLET 1946 to 1948 FRAME

Series DJ, EJ and FJ; DK, EK and FK. ALL BODY STYLES



All passenger models except Cabriolet.



Cabriolet Frame.

Note: Chevrolet Motor Car Co. does not publish actual frame dimensions other than shown above.

