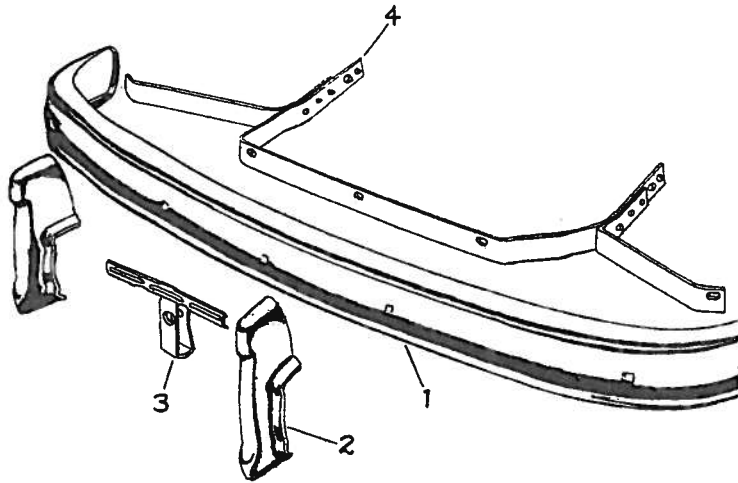


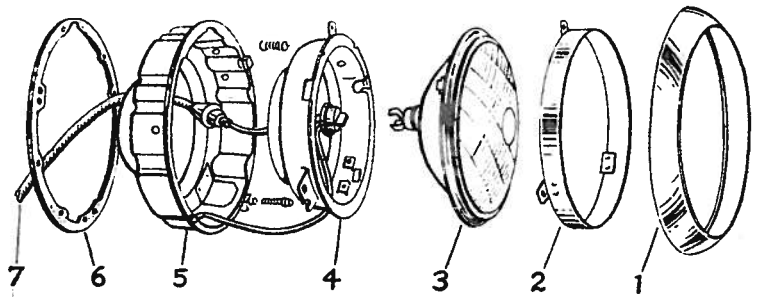
DODGE 1949 BODY PARTS

Models D29 and D30. ALL BODY STYLES



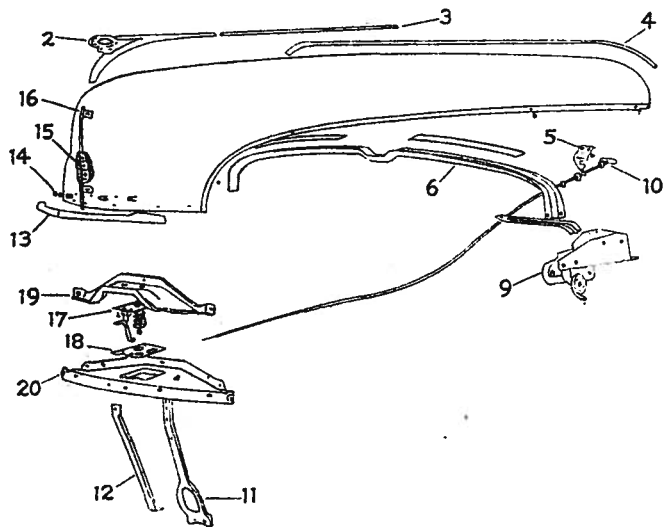
FRONT BUMPER

Item Part No.	Description	Price	Item Part No.	Description	Price
1	1137745—Face bar	\$31.50	3	1140370—License bracket	.75
1	1137839—Face bar, 7 pgr. & sta. wag.	32.75	4	1137738—Sprt. bar assem.	9.75
2	1141806—Buffer plate (D30)	5.25	4	1137842—Support bar assem. 7 sed. sta. wag.	10.75
2	1142188—Buffer plate, 7 sed. & sta. wag.	6.25			



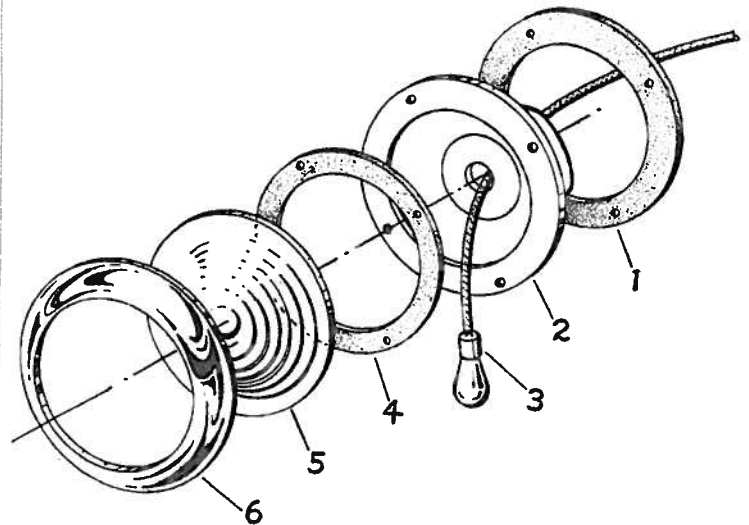
HEADLAMP

Item Part No.	Description	Price	Item Part No.	Description	Price
1	1239411—Door assembly	1.95	5	1154200—Shell assembly	2.40
2	946942—Ring	1.55	6	997686—Gasket	.15
3	1297667—Sealbeam unit	1.30	7	1302431—Cable & socket	1.55
4	946940—Seat assembly	1.55			



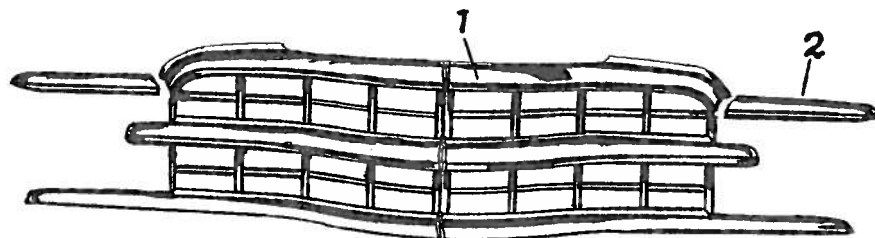
HOOD AND PARTS

Item Part No.	Description	Price
1	1239974—Hood panel assem.	\$31.50
2	1298905—Ornmnt. hood top	1.75
3	1298954—Molding, top	1.75
4	1244471—Seal hood strip	1.00
5	1301344—Support	.45
6	1297520—Strnr. pan., inter.	1.05
7	1254814—Strnr. hinge assy.	1.45
8	1243502—Brace hd. strainer	.35
9	1256118—Hinge left assem.	5.45
10	1300622—Knob & wire	1.75
11	1240568—Brace hd. lock supt.	.50
12	1298956—Brace low. support	.90
13	1240285—Midg. fnt. ctr. hd.	.60
14	1241342—Letter hood front name (D)	.30
14	1241343—Letter hd., F. (O)	.30
14	1241344—Ltr. hd., F. (D) ctr.	.30
14	1241345—Ltr. hood, F. (O)	.30
14	1241346—Letter hd., F. (E)	.30
15	1243366—Medallion, front	2.75
16	1240680—Midg. hood, front	3.25
17	1239994—Lock hd. up. half	1.35
18	1240225—Lock hd., low. half	1.55
19	1240410—Support hood lock	1.55
20	1298099—Support low. lock.	1.35



PARKING LAMP

Item Part No.	Description	Price	Item Part No.	Description	Price
1	1297835—Mntg. gasket	3	1244681—Cable assem.	2.60
2	1300801—Hsng., 4d cus. sp.	4	1297836—Lens gasket	.10
2	1302466—Housing (exc. conv.) 4D cus. sp.	5	1297832—Lens	.65
2	1302467—Hsng. (conv. cpe.)	6	1297833—Bezel chrome	1.80

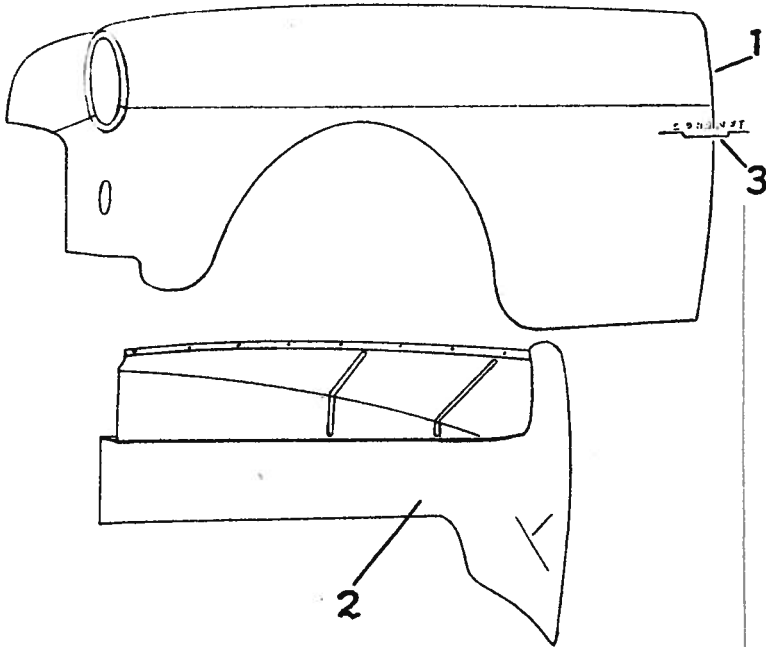


GRILLE ASSEMBLY

Item Part No.	Description	Price
1	1240653—Grille assembly	5.90
2	1241151—Grille extension No. 1 bar	2.15

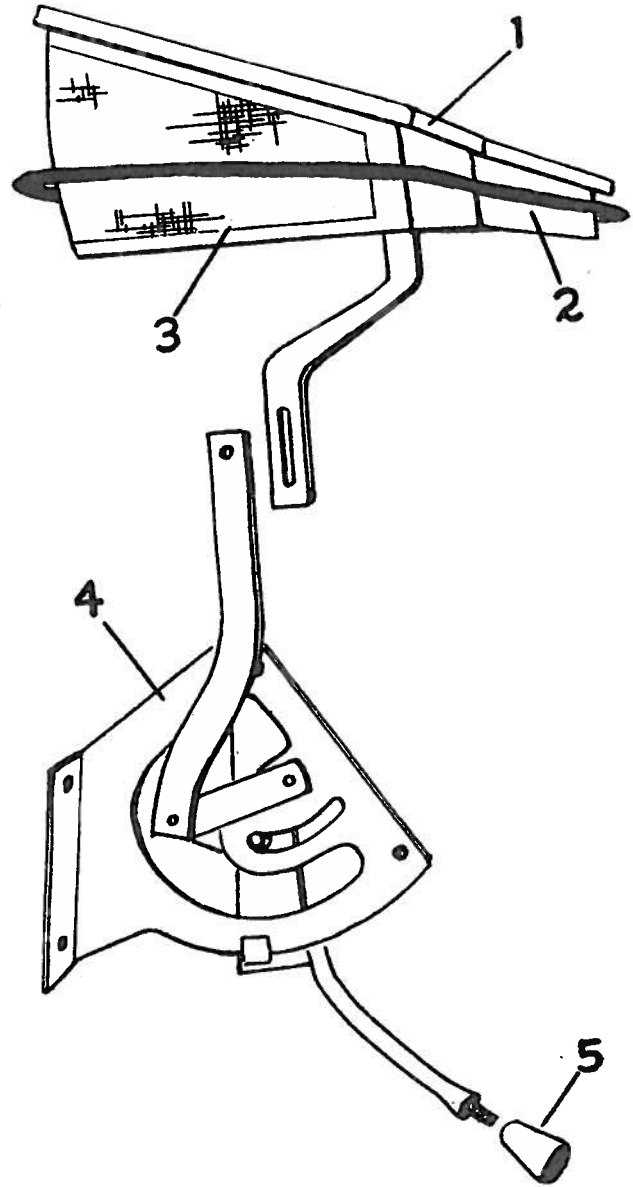
BODY PARTS 1949 DODGE

Models D29 and D30. ALL BODY STYLES



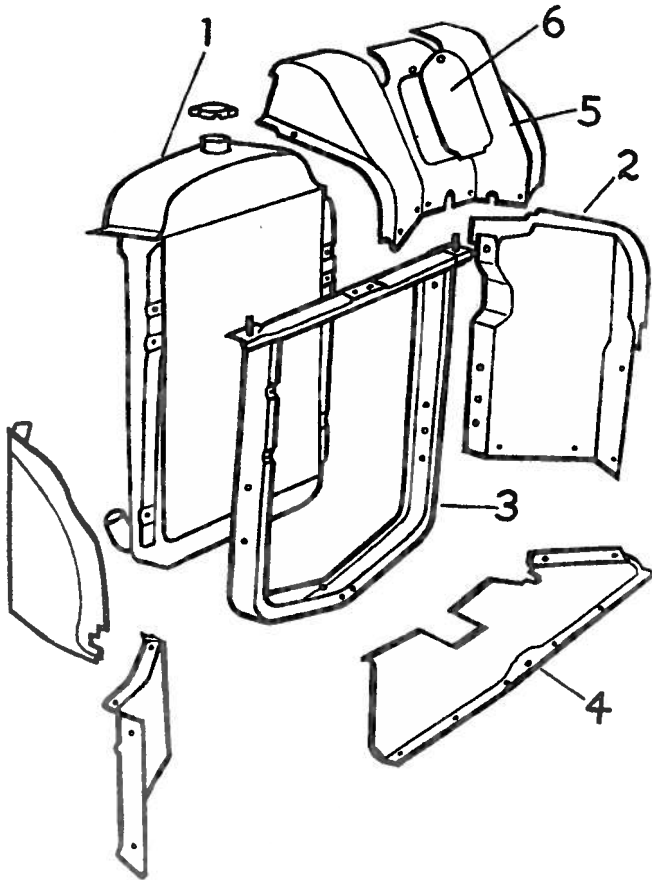
FRONT FENDER

Item Part No.	Description	Price	Item Part No.	Description	Price
1	1240389—Fender	26.50	3	1301386—Name plate, Coronet Exc. 4 D. Del.	2.65
	313073—Antisqueak	.10	3	1300169—Name plate, Meadowbrook F.O. 4 D. Sed.	1.65
2	1314667—Shield comp. assy.	8.45	3	1300171—Name plate, Wayfarer F.O.	1.65
	1138158—Brkt, fndr. shield	.20		1300332—Name plate clip	.03
3	1301385—Name plate, Coronet F.O. Exc. 4 D Del.	2.65			



COWL VENTILATOR ASSEMBLY

Item Part No.	Description	Price	Item Part No.	Description	Price
1	1299560—Vent. lid. assy.	3.95	5	1299815—Knob, 4 D. custom spec.	.50
2	1245657—W/strip	.85	5	1299346—Knob, 4 D. C. cpe., conv. cpe.	.55
3	1243430—Screen	1.00			
4	1299562—Support assy.	3.45			
5	1296779—Knob, 2 D. 3 cpe., roadster	.50			

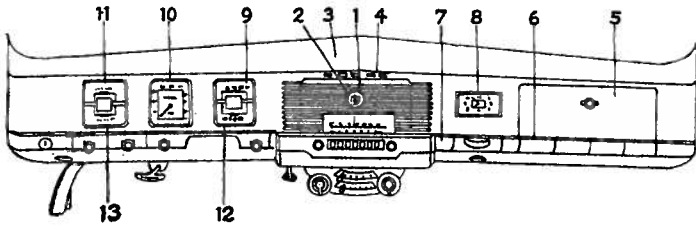


RAD. CORE AND AIR SCOOPS

Item Part No.	Description	Price	Item Part No.	Description	Price
1	1238996—Rad. core assembly	69.86	4	1240439—Dust shield, front	2.25
1	1244436—Core for high alt.	73.50	5	1240487—Shield rad., upr.	3.50
2	1244205—Side shield	2.85	6	1240288—Cover, upper	.45
3	1296386—Support assembly.	6.35			

DODGE 1949 BODY PARTS

Models D29 and D30. ALL BODY STYLES

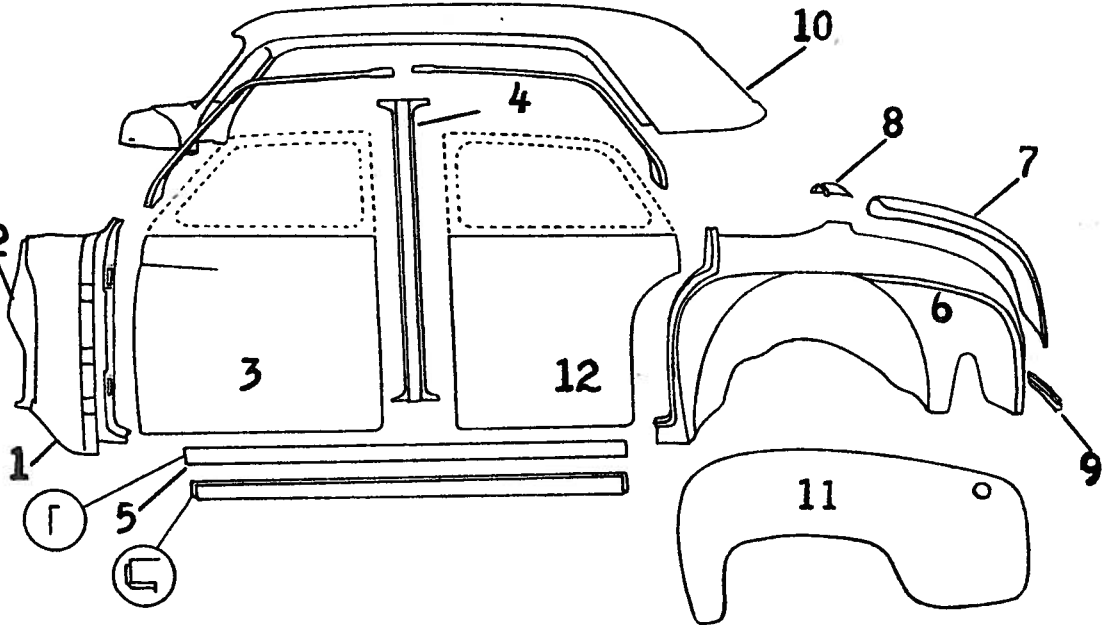


INSTRUMENT PANEL

Item Part No.	Description	Price	Item Part No.	Description	Price
1 1254836	Grille panel, ctr...	12.45	7 1256163	Midg. inst. panel, ctr.	.50
2 1256436	Emblem panel cvr.	1.25	8 1301271	Cover clock hole, Wayfarer, 2 D., 3 cpe....	1.50
3 1297542	Pan. assy., finshd.	21.75	8 1301272	Cover, Meadowbrook D30, 4 D.	1.50
3 1249730	Panel (incl.) end, panel, white, D30.....	6.75	8 1301273	Cover, Coronet, 4 D. C. cpe., conv. cpe., 7 sed.	1.50
4 1254027	Pan name itr. (D)	.25	9 1302633	Oil gage assy....	2.65
4 1254028	Pan. name itr. (O)	.25	10 1253112	Spdmtr. assy (mile)	14.95
4 1254029	Panel letter (Q)...	.25	11 1302630	Temp. gage (Fah.)	4.95
4 1254030	Panel letter (E)...	.25	11 1302631	Temp. gage, Centi.	4.95
5 1255074	Door glove box, finished	6.50	12 1302632	Fuel gage assy....	4.40
5 1255075	Door box, less finish, 2 D., 3 cpe.....	3.30	13 1302627	Ammeter assy.	2.45
6 1256164	Midg., glove door..	1.50			
7 1256161	Midg., inst. panel	2.85			

BODY SHEET METAL 4-DOOR SEDANS

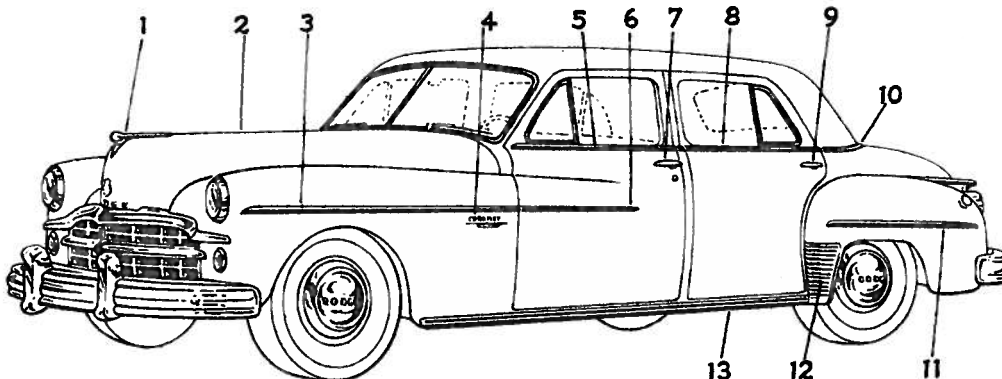
Item Part No.	Description	Price
1 1240723	Cowl side assy....	25.50
2 1244135	Dash panel assy....	9.75
FRONT DOOR PANEL		
3 1303570	Repair panel	12.75
BODY CTR. PILLAR		
4 1243916	Pillar body ctr....	10.50
BODY SILLS		
5 1240644	Sill, inner, D.30...	4.75
REAR QUARTER PANEL		
6 1239062	Panel less tail light holes, D.30	46.50
7 1252699	Trunk compartment, lid	36.50
8 1239065	Panel assy., up., D.30	5.25
9 1241331	Panel, lower, D.29-D.30	3.50
ROOF PANEL ASSEMBLY		
10 1239032	Roof panel assy....	97.50
REAR FENDER		
11 1252778	Fender, D.29-D.30	13.50
11 1244443	Fender, D.30, 7 sed.	15.50
1243998	Brace45
12 1300179	Rear door, less trim	48.50



Body Sheet Metal

CAR BODY MOULDING 4-DOOR SEDANS

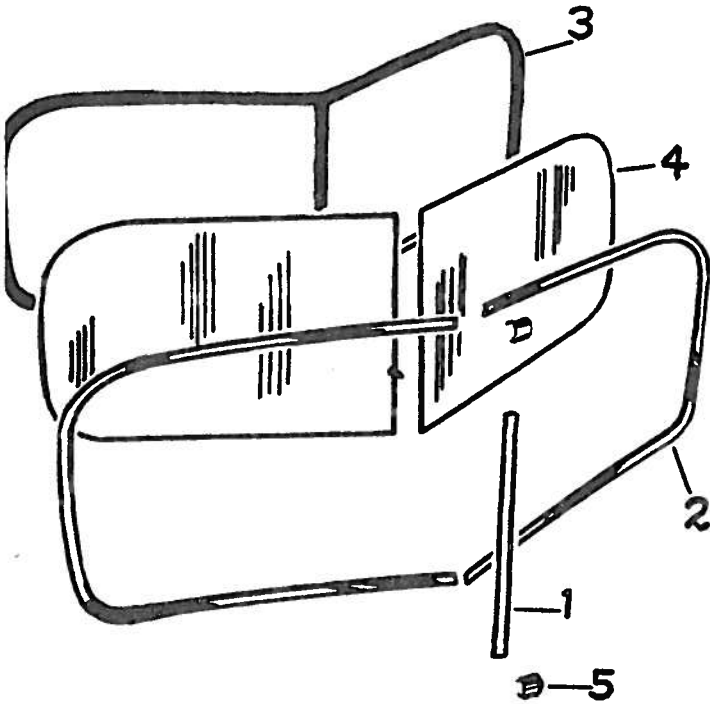
Item Part No.	Description	Price
1 1298935	Ornament hood top	5.15
2 1298954	Midg. hood top...	1.75
3 1256509	Fender midg., D.29	2.95
3 1256513	Fender midg., D.30	2.95
4 1301385	Name plate, exc. 4-d. deluxe	2.65
4 1301386	Name plate, exc. 4-d. deluxe	2.65
4 1300169	Name plate, 4-d. deluxe	1.65
5 1256166	Door belt midg. (D.30)	2.25
6 1252526	Midg. fender extension	1.80
7 1243597	Door handle, front	2.60
8 1256168	Midg. rear door...	2.25
9 1243599	Rear door handle	2.60
10 1256171	Rear quarter midg.	1.65
11 1253717	Fender midg., 7 sed.	9.25
11 1252834	Fender midg., D.30	3.35
12 1256425	Shield (except 2-d. sed., 7 sed. and S.W.)...	6.50
12 1298711	Shield, 2-d. sed., D.29
13 1256003	Sill midg., D.30....	9.25



Body Moulding

BODY PARTS 1949 DODGE

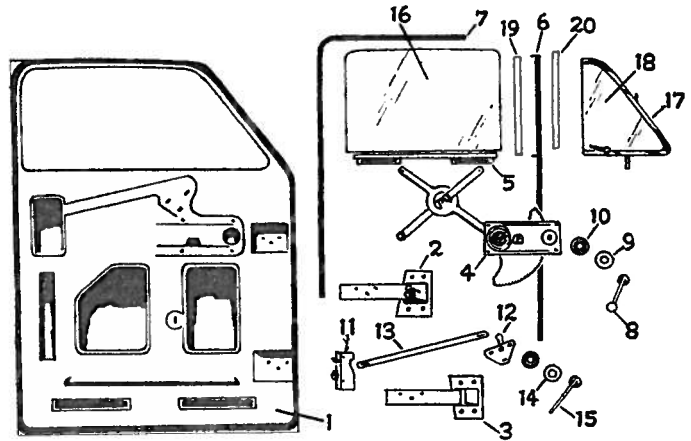
Models D29 and D30. ALL BODY STYLES



WINDSHIELD

4-DOOR SEDANS

Item Part No.	Description	Price	Item Part No.	Description	Price
1243904	Bar finished	1.75	4 1243579	Glass, D.29-D.30 ..P.O.A.	
1256330	Moulding, outside	2.85	5 1256332	Outside clip	.35
1244038	W/strip	7.35			

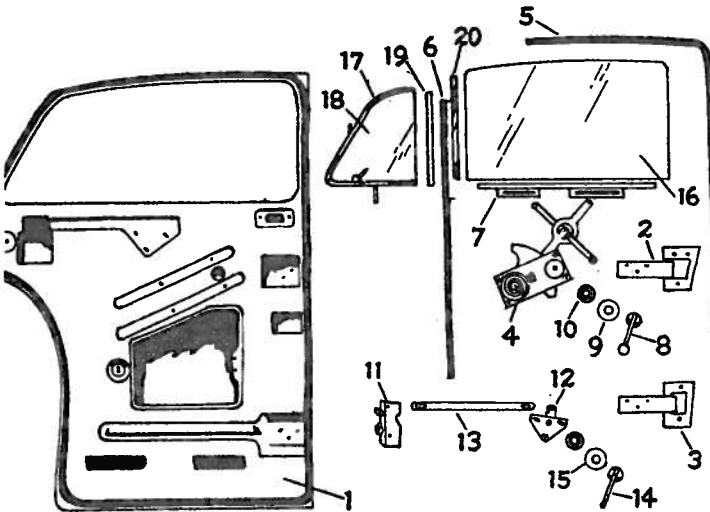


FRONT DOOR 4-DOOR SEDANS

Item Part No.	Description	Price	Item Part No.	Description	Price
1 1300177	Door less trim, D.30	48.50	12 1296699	Remote cntrl. assy.	1.10
1 1316172	Door with trim glass hardware, D.30	117.50	13 1244137	Control link	
2 1244181	Hinge up. assy.	3.50	14 1296570	Escutcheon, 40 custom & Spec.	.65
3 1244188	Hinge lower assy.	3.15	14 1300153	Escutcheon, 4-d. deluxe	.75
4 1242840	Regulator assy.	4.85	15 981381	Handle	1.00
5 1243813	Channel low. assy.	1.00	15 1243597	Handle, outside	2.80
6 1243578	Division channel run	1.15	16 1301007	Door glass, deluxe and custom	P.O.A.
7 1243576	Run front glass	P.O.A.	16 1241365	Door glass, custom spec.	P.O.A.
8 1296582	Regulator handle, 4-d. custom and Spec.	1.60			
8 1296581	Regulator handle, 4-d. deluxe	1.60			
9 1296570	Escutcheon, 4-d. custom and Spec.	.65			
9 1256038	Escutcheon, 4-d. deluxe	.35			
10 89796	Spring	.06			
11 1242694	Lock assy.	3.35			

DOOR VENT ASSEMBLY

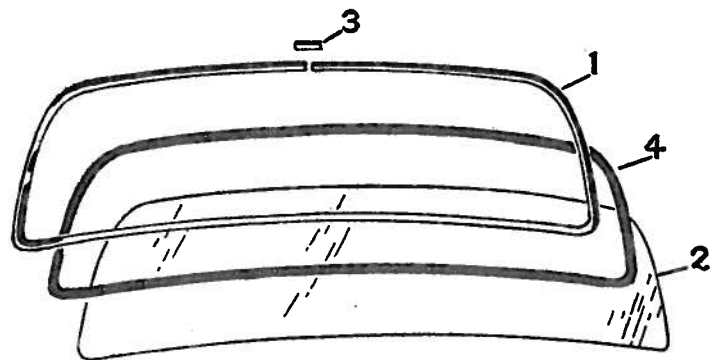
17 1243563	Frame	5.25
18 1302180	Glass, D.30	P.O.A.
19 1256488	Division channel, inner	.40
20 1255487	Division channel, outer	.35



REAR DOOR

4-DOOR SEDANS

Item Part No.	Description	Price	Item Part No.	Description	Price
1300179	Rear door less trim, D.30	48.50	8 1296582	Regulator handle, 4-d. custom and spec.	1.60
1316174	Door with trim and hardware	117.50	8 1296581	Regulator handle, 4-d. deluxe	1.60
1307513	Hinge, up. assy.	2.75	9 1256038	Escutcheon, 4-d. deluxe	.35
1307516	Hinge, lower assy.	2.75	9 1296570	Escutcheon, 4-d. custom and spec.	.55
1243954	Regulator assy.	5.85	10 89796	Spring	.06
1243408	Channel run, front	1.15	11 1243301	Lock assy.	3.35
1243408	Glass run assy.	P.O.A.	12 1244248	Remote ctrl. assy.	1.06
1243401	Division channel run	1.15	13 1244136	Remote ctrl. link	
1243822	Channel, lower	1.00	14 981381	Handle	1.00
			15 1300153	Escutcheon, 4-d. deluxe	.75



REAR WINDOWS

4-DOOR SEDANS

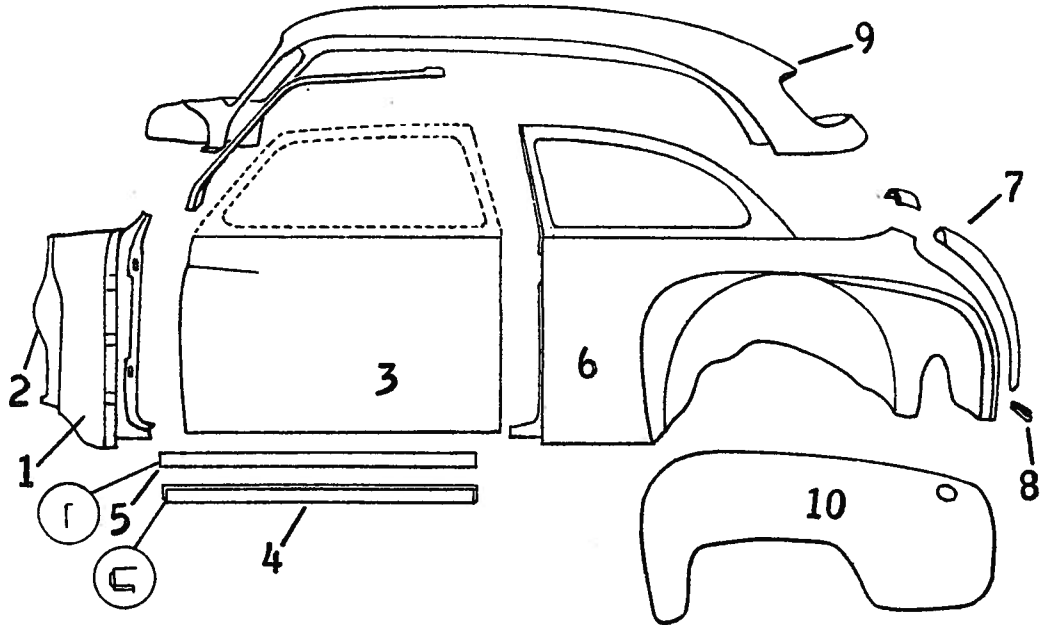
Item Part No.	Description	Price	Item Part No.	Description	Price
1 1256333	Midg., 4-d. custom and 4-d. special	5.75	15 1296570	Escutcheon, 4-d. custom and spec.	.65
2 1240326	Glass, D.30	P.O.A.	1243599	Outside handle	2.60
3 1256334	Clip, outside, D.29-D.30	.35	16 1301008	Door glass, deluxe and custom	P.O.A.
4 1254827	W/strip, 4-d. deluxe	3.85	16 1240255	Door glass, custom spec.	P.O.A.
			16 1300253	Door glass	P.O.A.
			17 1243398	Door vent frame	5.50
			18 1302181	Glass	P.O.A.
			19 1256488	Division channel, inner	.40
			20 1255487	Division channel, outer	.35

DODGE 1949 BODY PARTS

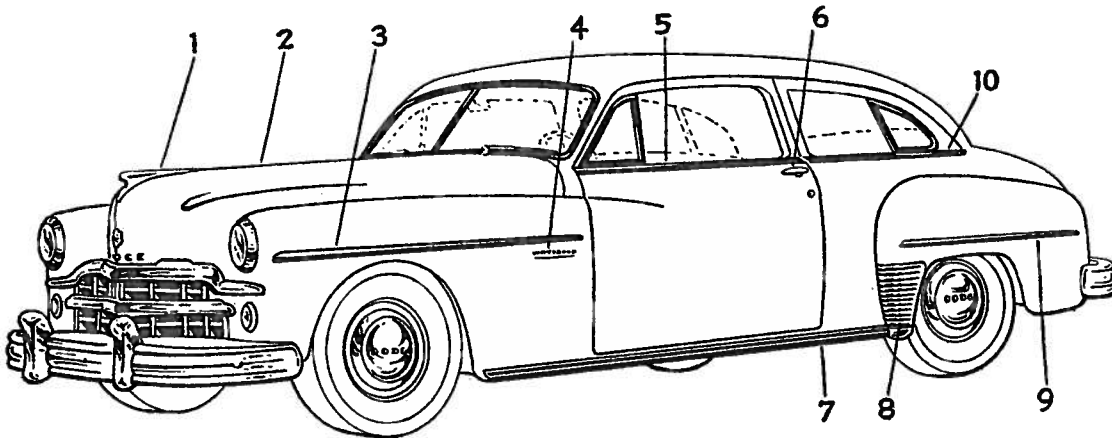
Models D29 and D30. ALL BODY STYLES

BODY SHEET METAL 2-DOOR SEDANS

Item	Part No.	Description	Price
1	1240723	Cowl side assy....	25.50
2	1244135	Dash panel assy....	9.75
3	1244181	Dr. assy., no panel	51.50
BODY SILLS			
4	1242359	Sill, out. assy., D29	6.00
5	1242083	Sill, inner, D29....	4.75
QUARTER PANEL			
6	1306716	Quarter panel assy., D29	37.50
7	1242236	Deck compart. lid	33.50
8	1240842	Panel, low., D29....	4.75
ROOF REPAIR PANEL			
9	1306533	Repair panel, D29	32.75
9	1240849	Roof pan. assy., D29	87.50
REAR FENDER			
10	1242461	Fender, D29	13.50
	1298509	Brace, D29	.45



Body Sheet Metal



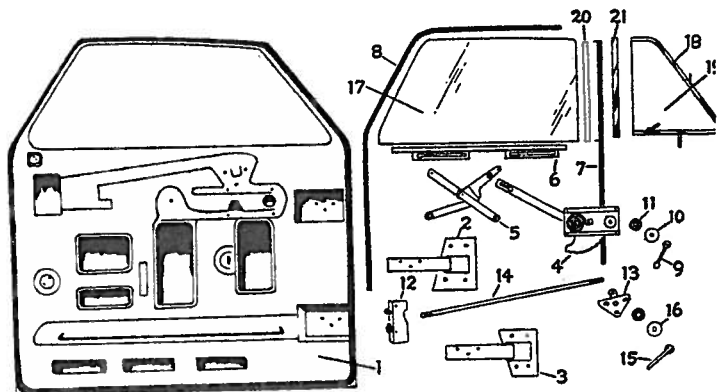
Body Moulding

CAR BODY MOULDING 2-DOOR SEDANS

Item	Part No.	Description	Price
1	1298935	Ornament hood top	5.11
2	1298954	Midg. hood top...	1.71
3	1256509	Fender midg., D.29	2.91
3	1256513	Fender midg., D.30	2.91
4	1300171	Name plate, D.29	1.61
5	1242354	Door belt midg., D.29	2.21
6	1252844	Door handle, D.29-D.30	2.61
7	1242494	Sill midg., D.29...	3.21
8	1298711	Rear fender shield	5.51
9	1252834	Fender midg.	3.31
10	1242416	Rear quarter midg., D.29	2.21

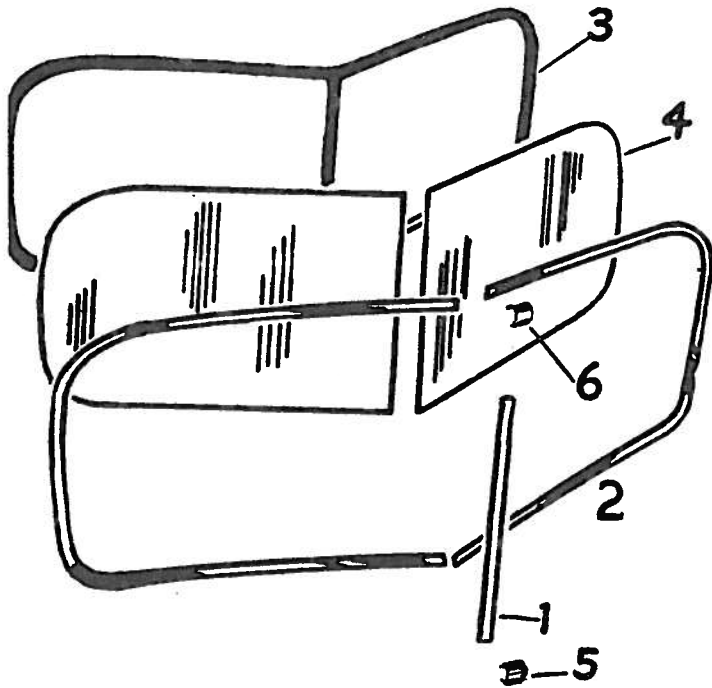
DOOR AND PARTS 2-DOOR SEDANS

Item	Part No.	Description	Price	Item	Part No.	Description	Price
1	1298576	Door less trim....	51.50	13	1296699	Remote control assy.	1.10
2	1244181	Hinge up. assy....	3.50	14	1244130	Remote control link	1.00
3	1244188	Hinge lower assy.	3.15	15	981381	Handle	1.00
4	1242388	Regulator or plate	4.85	16	1298661	Escutcheon	.40
5	1242993	Arm for regulator	1.75	16	1252844	Handle, outside	2.60
6	1242282	Channel lower assy.	1.95	17	1302226	Door glass	P.O.A.
7	1243578	Division channel run	1.15	DOOR VENT ASSEMBLY			
8	1242309	Run glass assy....	1.90	18	1242304	Frame	3.75
9	1298148	Regulator handle, D.29	2.10	19	1242310	Glass	P.O.A.
10	1298661	Escutcheon	.40	20	1242425	Division channel, inner	.80
11	89796	Spring	.06	21	1242426	Division channel,	
12	1242684	Lock assy. outer	3.35				
			.80				



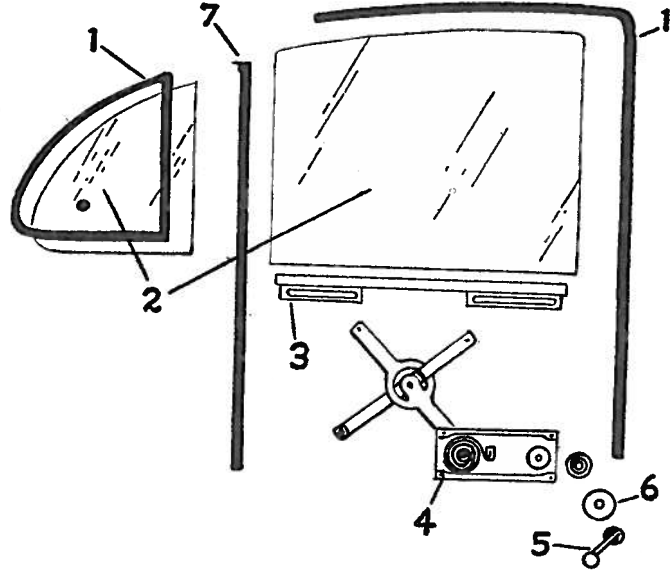
BODY PARTS 1949 DODGE

Models D29 and D30. ALL BODY STYLES



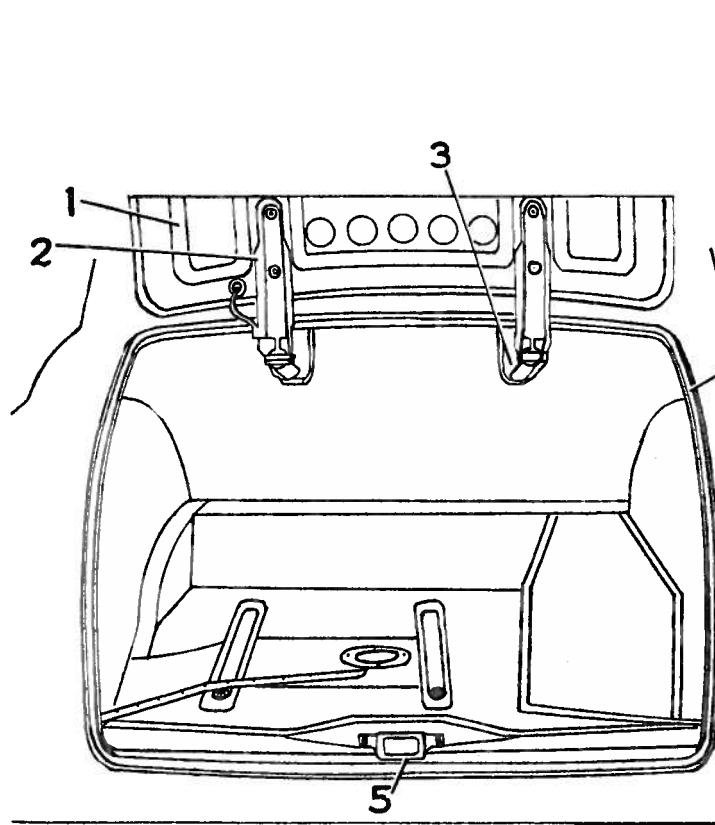
WINDSHIELD
2-DOOR SEDANS

Item Part No.	Description	Price	Item Part No.	Description	Price
1242318	Bar (white), D.29	.90	4	1243579—Glass, D.29-D.30 ..P.O.A.	
1242329	Moulding	2.25	5	1256332—Outside clip, lower	.35
1242311	W/strip, D.29	7.25	6	1256331—Outside clip, up...	.35



REAR QUARTER WINDOW
2-DOOR SEDANS

Item Part No.	Description	Price	Item Part No.	Description	Price
1	1242455—Midg. quarter window	5.65	3	1242403—Channel assy. (incl. brkt.)	3.75
1	1299635—Midg., incl. w/strip, D.29	8.75	1242347	Channel run front assy.	1.00
2	1242313—Glass	P.O.A.	4	1242962—Regulator assy.	5.85
2	1242405—Glass, stationary..P.O.A.		6	1298148—Handle assy., D.29	2.10
1242451	W/strip, stationary	2.75	6	1296570—Escutcheon65
1240555	Channel lower assy.	1.30	7	1242387—Division channel run



REAR WINDOW
2-DOOR SEDANS

Item Part No.	Description	Price	Item Part No.	Description	Price
1	1298555—Midg., outside	3.25	3	1242299—W/strip	5.85
2	1242378—Glass, D.29	P.O.A.	4	1242096—Clip35

REAR DECK
2-DOOR SEDANS

Item Part No.	Description	Price
1	1242236—Deck lid assy., D.29	33.50
2	1257068—Hinge, D.29-D.30..	1.85
3	1306711—Spring (incl. guide), D.29	2.65
3	1306710—Spring (incl. guide), D.29	2.85
4	1242298—W/strip	4.00
5	1299663—Lid catch40
1256575	Name plate, D.29	3.50
1254997	Lock assembly, D.29-D.30	1.65
1257300	Handle assembly..	1.80

4-DOOR SEDANS

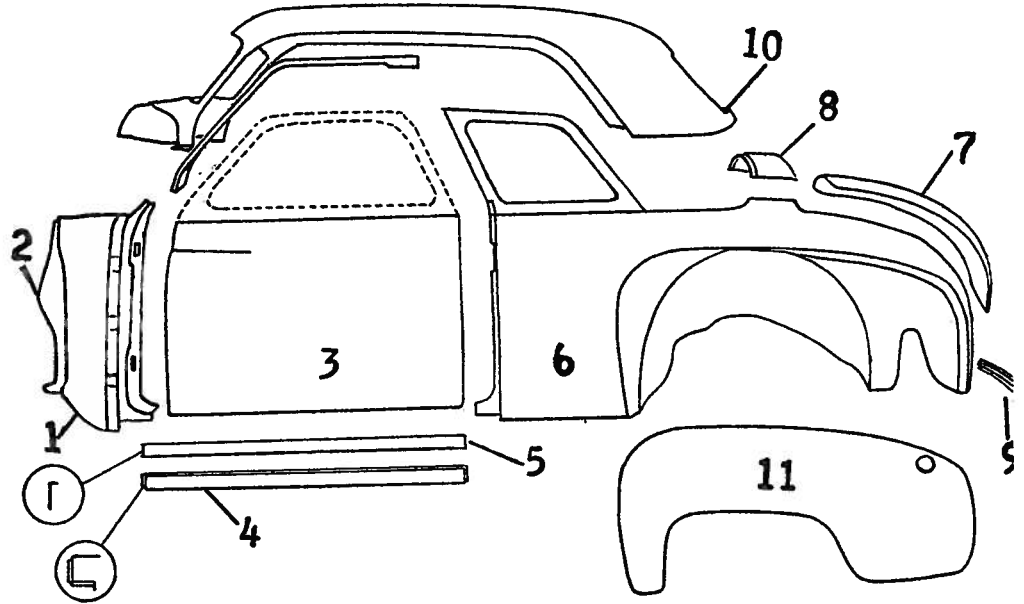
Item Part No.	Description	Price
1	1252689—Deck lid assy., D.30	36.50
2	1257068—Hinge, D.29-D.30..	1.85
8	1242717—Spring assy., D.30	2.65
4	1244478—W/strip	4.65
6	1299663—Lid catch40
1254678	Name plate, D.30..	1.25
1254997	Lock assembly	1.65
1244887	Handle assembly..	1.80

DODGE 1949 BODY PARTS

Models D29 and D30. ALL BODY STYLES

BODY SHEET METAL CLOSED COUPES

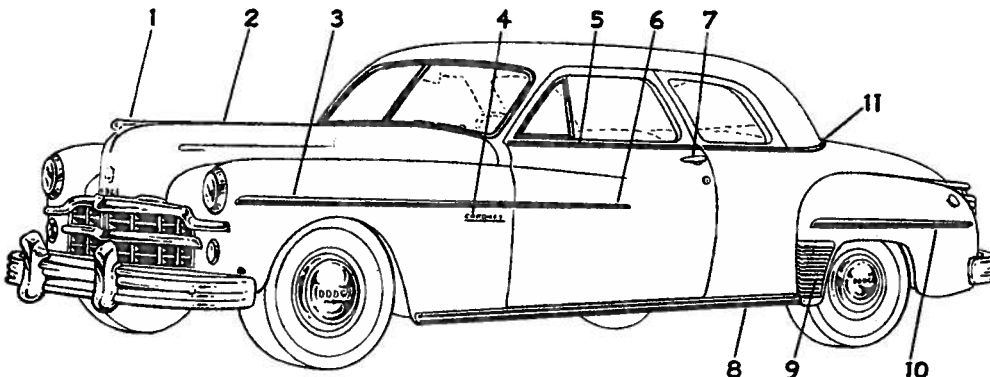
Item Part No.	Description	Price
1	1240723—Cowl side assy....	25.50
2	1244135—Dash panel assy...	9.75
DOOR PANEL		
3	1303570—Door repair panel	12.75
BODY SILLS		
4	1242085—Sill, outer, D.29, 3 cpe.	6.25
4	1240646—Sill, outer, D.30, c. cpe.	6.25
5	1242083—Sill, inner, D.29, 3 cpe.	4.75
5	1240644—Sill, inner, D.30, c. cpe.	4.75
REAR QUARTER PANEL		
6	1239070—Panel less tail light holes, c. cpe.	56.50
6	1306714—Panel assy., D.29, 3 cpe.	59.50
7	1242237—Deck compartment lid, D.29, 3 cpe.	39.50
7	1252999—Deck compartment lid, D.30, c. cpe.	36.50
8	1239066—Panel assy., up., c. cpe.	4.25
9	1241331—Panel, lower, c. cpe., 3 cpe.	3.50
ROOF PANEL ASSY.		
0	1242722—Roof panel assy., c. cpe.	95.00
10	1306670—Roof panel assy., 3 cpe.	80.50
REAR FENDER		
11	1252778—Fender, D.29-D.30	13.50
	1243998—Brace, D.29-D.30..	.45



Body Sheet Metal

CAR BODY MOULDING CLOSED COUPES

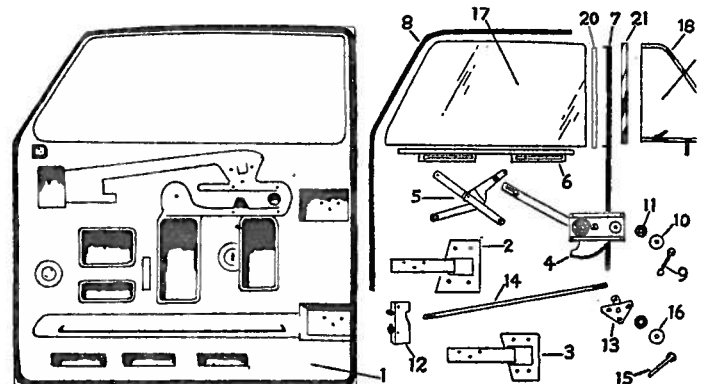
Item Part No.	Description	Price
1	1298935—Ornament hood top	1.00
2	1298954—Midg. hood top....	1.00
3	1256509—Fender midg., D.29	1.00
3	1256513—Fender midg., D.30	1.00
4	1301385—Name plate, c. cpe.	1.00
4	1300171—Name plate, 3 cpe.	1.00
5	1256173—Door belt midg. (D.30) c. cpe.	1.00
5	1242363—Door belt midg. (D.29) 3 cpe.	1.00
6	1252526—Midg. fender ex- tension, c. cpe.	1.00
7	1252844—Door handle, D.29- D.30	1.00
8	1256003—Sill midg., c. cpe...	1.00
8	1242494—Sill midg., 3 cpe...	1.00
9	1256425—Rear fender shield, D.29-D.30	1.00
10	1252834—Fender midg., D.30	1.00
11	1256175—Rear quarter midg., c. cpe.	1.00
11	1242412—Rear quarter midg., 3 cpe.	1.00



Body Moulding

DOOR ASSEMBLY CLOSED COUPES

Item Part No.	Description	Price	Item Part No.	Description	Price
1	1300183—Door less trim, 3 cpe., D.29.	51.50	10	1298661—Escutcheon, 3 cpe., D.29	.40
1	1300181—Door less trim, c. cpe., D.30.	51.50	11	89796—Spring	.06
2	1244181—Hinge up. assy., D.29-D.30	3.50	12	1242694—Lock assy.	3.35
3	1244188—Hinge lower assy., D.29-D.30	3.15	13	1296699—Remote control assy.	1.10
4	1242988—Regulator or plate, c. cpe., 3 cpe.	4.85	14	1244139—Remote cntrl. link	1.00
5	1242993—Arm for regulator, c. cpe., 3 cpe.	1.75	15	981381—Handle	1.00
6	1243947—Channel low. assy.	1.95	16	1296570—Escutcheon, c. cpe.	.65
7	1243578—Division channel run	1.15	16	1298661—Escutcheon, 3 cpe. 1252844—Handle, outside, c. cpe., 3 cpe.40
8	1244048—Run front glass, c. cpe., 3 cpe.	P.O.A.	17	1302226—Door glass, c. cpe., 3 cpe.	2.60
9	1296582—Regulator handle, c. cpe., D.30.	1.60	DOOR VENT ASSEMBLY		
9	1298149—Regulator handle, 3 cpe., D.29	2.10	18	1243563—Frame, c. cpe.	5.25
10	1296570—Escutcheon, c. cpe.	.65	18	1298641—Frame, 3 cpe.	3.50
			19	1302180—Glass	P.O.A.
			20	1255488—Division channel, inner	.40
			21	1255487—Division channel, outer	.35



BODY PARTS 1949 DODGE

Models D29 and D30. ALL BODY STYLES

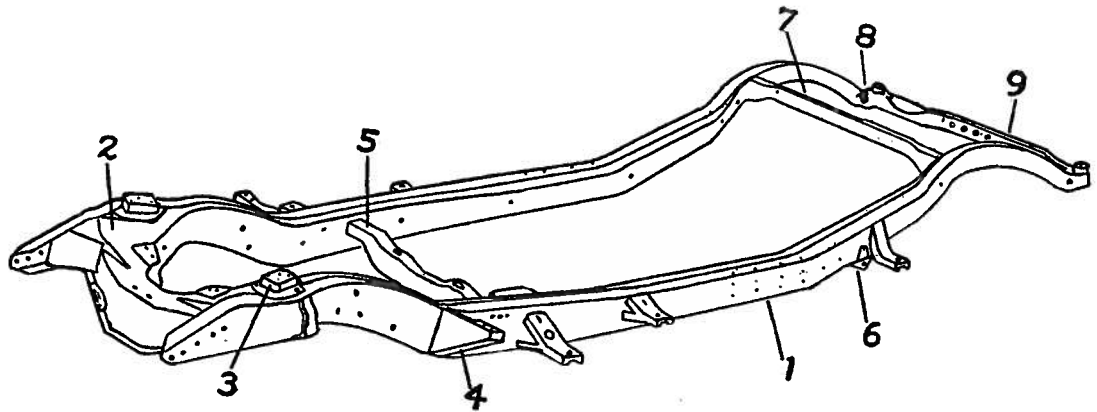
FRAME

4-DOOR SEDANS

Part No.	Description	Price
137027	Frame assy., D.30	99.50
139696	Frame assy., 7 pass.	P.O.A.
141209	Crossmember front assy.	26.00
1312042	Support up. control	1.10
1312307	Brkt. No. 1	3.00
138432	Brkt. No. 2, 7 pass.	1.75
137149	Brkt. No. 2	1.25
1313324	Brkt. No. 3, 7 pass.	1.25
137152	Brkt. No. 3	1.25
1311493	Brkt. No. 4	1.10
1311488	Brkt. No. 4	1.65
1311485	Brkt. No. 5	1.10
115744	Engine support	1.90
124576	Rear spring front hanger	1.40
141736	Intermediate crossmember	5.50
137077	Rear spring rear hanger	1.25
140327	Rear crossmember, 7 pass.	5.75
140339	Rear crossmember, 4-d.	4.05

2-DOOR SEDANS

Part No.	Description	Price
137078	Frame assembly	99.50
141209	Crossmember, frt.	26.00
1312042	Support up. cntrl.	1.10
1312307	Brkt. No. 1	8.00
137149	Brkt. No. 2	1.25
137152	Brkt. No. 3	1.25
1311493	Brkt. No. 4	1.10
1311485	Brkt. No. 5	1.10
115744	Engine support	1.90
124576	Rear spring front hanger	1.40



Item Part No.	Description	Price
7 1141736	Intermediate crossmember	5.50
8 1137077	Rear spring rear hanger	1.25
9 1140339	Rear crossmember	4.05

CLOSED COUPES

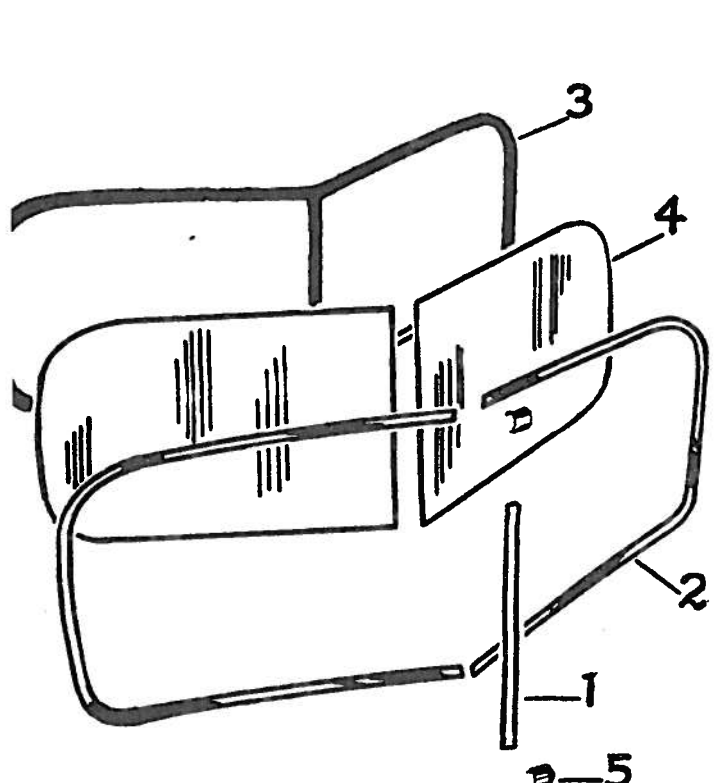
Item Part No.	Description	Price
1 1137078	Frame assembly, D.29-30	99.50
1 1137027	Frame assy., c. cpe.	99.50
2 1141209	Crossmember assy., front	26.00
3 1312042	Support up. cntrl.	1.10
4 1312307	Brkt. No. 1	3.00
4 1137149	Brkt. No. 2	1.25

Item Part No.	Description	Price
4 1137152	Brkt. No. 3	1.25
4 1311493	Brkt. No. 4	1.10
4 1311485	Brkt. No. 5	1.10
5 1115744	Engine support	1.90
6 1124576	Rear spring front hanger	1.40
7 1141736	Inter. crossmember	5.50
8 1137077	Rear spring rear hanger	1.25
9 1140339	Rear crossmember	4.05

CONVERTIBLE COUPE AND ROADSTER

Item Part No.	Description	Price
1 1138455	Frame assembly
1 1138478	Frame assembly

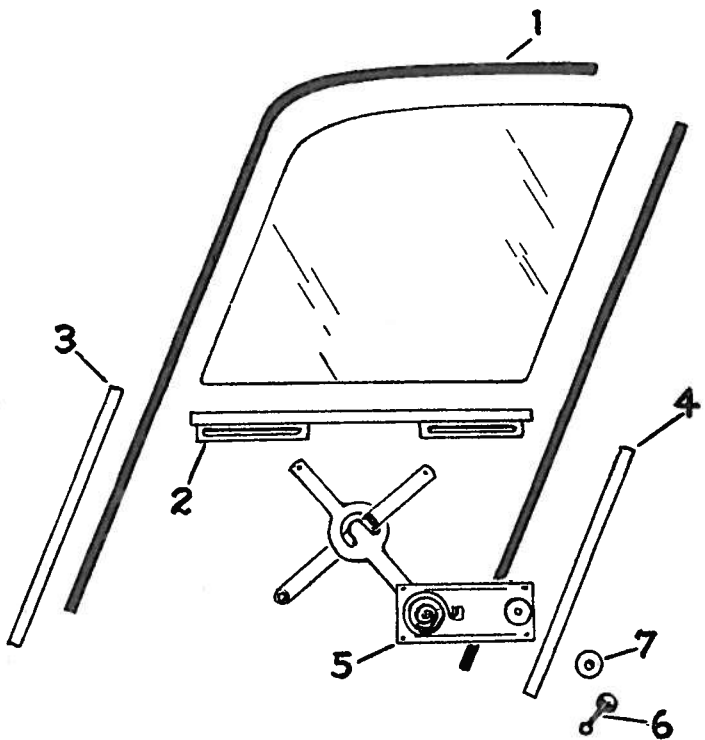
Item Part No.	Description	Price
2 1141209	Crossmember, frt.	26.00
3 1312042	Support up. cntrl.	2.75
4 1312307	Brkt. No. 1	3.90
4 1141379	Brkt. No. 2	2.85
4 1139443	Brkt. No. 3	2.50
4 1311488	Brkt. No. 4	1.85
4 1141741	Brkt. No. 4	2.50
4 1141382	Brkt. No. 5	2.50
5 1115744	Engine support	1.90
6 1124576	Front rear spring hanger	1.40
7 1141736	Intermediate crossmember	6.50
8 1137077	Rear spring hanger	1.25
9 1140339	Rear crossmember	6.75
9 1141753	Rear crossmember	6.75



WINDSHIELD MOULDINGS

CLOSED COUPES

Part No.	Description	Price	Item Part No.	Description	Price
1243904	Bar finished	1.75	3 1299824	W/strip, 3 cpe., D.29	7.65
1256330	Moulding, outside, D.30	2.85	4 1243579	Glass, c. cpe., 3 cpe., D.29-D.30	P.O.A.
1244038	W/strip, c. cpe., D.29-D.30	7.35	5 1256332	Outside clip, lower	.35



QUARTER WINDOW

CLOSED COUPES

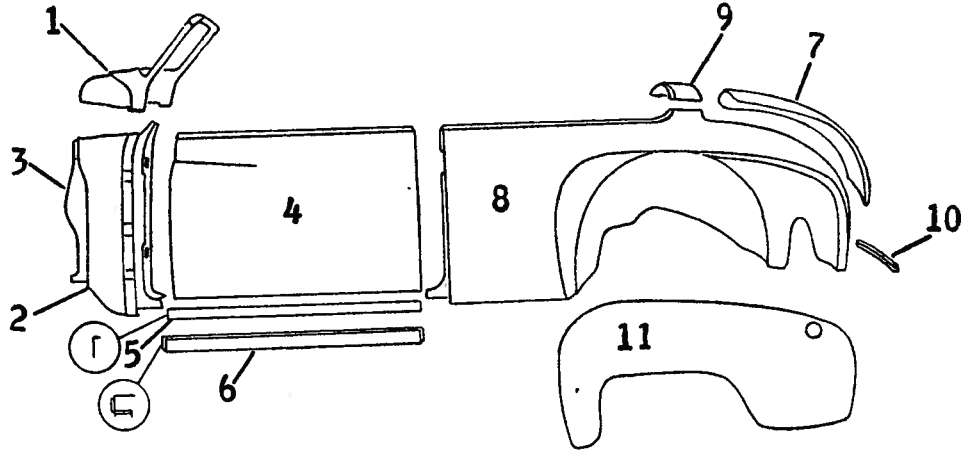
Item Part No.	Description	Price	Item Part No.	Description	Price
1 1252935	Midg. (incl. w/strip) D.30	9.00	4 1248279	Guide run assy., c. cpe.	1.25
2 1240555	Channel lower assy., c. cpe.	1.30	5 1242962	Regulator assy., c. cpe.	6.85
3 1240549	Channel run front assy., c. cpe.	1.00	6 1296683	Handle assy., D.30, c. cpe.	1.65
			7 1296570	Escutcheon	.65

DODGE 1949 BODY PARTS

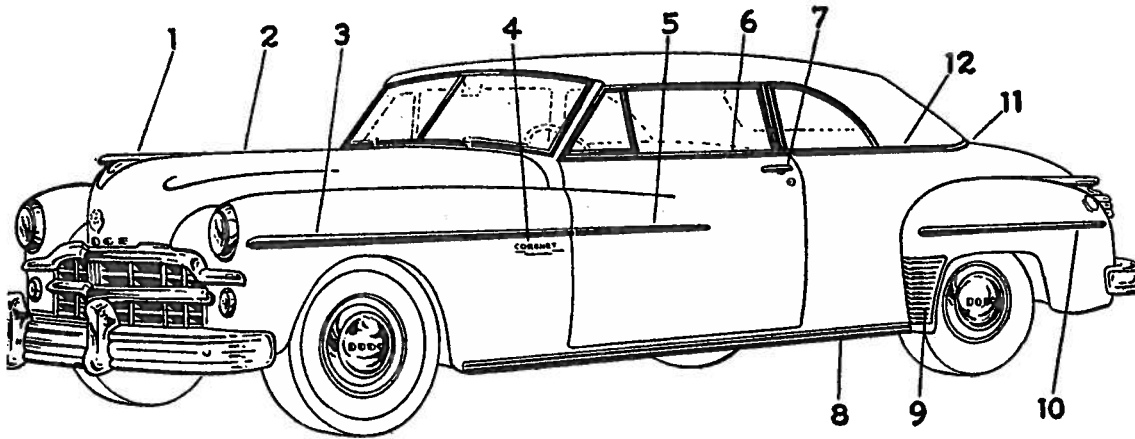
Models D29 and D30. ALL BODY STYLES

BODY SHEET METAL CONVERTIBLE COUPE AND ROADSTER

Item	Part No.	Description	Price
1	1303121	Cowl panel, upper	26.75
1	1306671	Cowl panel, upper	26.75
2	1247869	Cowl side assy.	19.75
3	1244135	Dash panel assy.	9.75
4	1303570	Door repair panel	12.75
5	1304288	Body sill in. assy.	6.75
5	1242139	Body sill in. assy.	6.75
6	1249887	Body sill out. assy.	6.00
6	1242133	Body sill out. assy.	6.00
	1308962	Body sill retainer	.45
7	1303163	Deck lid assembly	36.50
7	1242237	Deck lid assembly	39.50
8	1249699	Rear quarter panel assy.	59.50
		Rear quarter panel assy.
9	1248422	Panel assy., upper	4.25
9	1242053	Panel assy., upper	4.25
10	1241331	Panel assy., lower	3.50
11	1252778	Rear fender	13.50
	1243998	Fender brace	.45



Body Sheet Metal



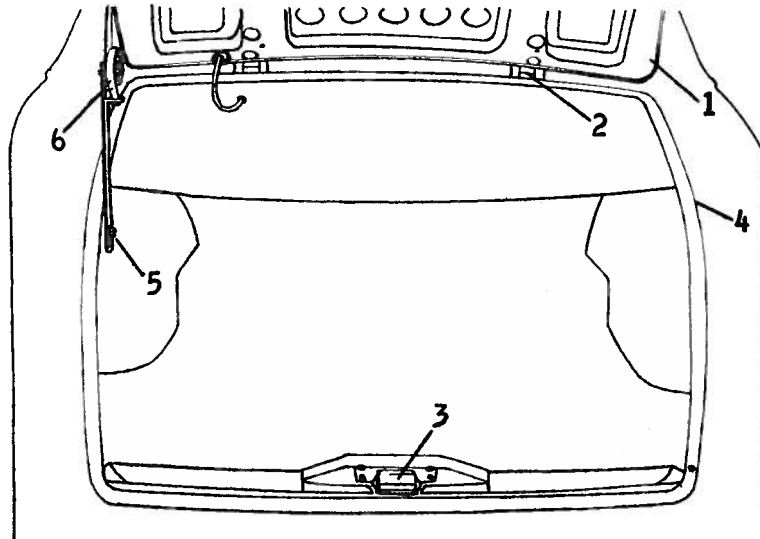
CAR BODY MULDING CONVERTIBLE COUPE AND ROADSTER

Item	Part No.	Description	Pri
1	1298935	Ornament hood top	5.1
2	1298954	Hood top mldg.	1.7
3	1256509	Fender moulding..	2.5
3	1256513	Fender moulding..	2.5
4	1301386	Name plate, side..	2.5
4	1300171	Name plate, side, Wayfarer	1.5
5	1252526	Fender extension mldg.	1.5
6	1303302	Door mldg., upper	2.7
7	1248019	Door handle	2.7
8	1303272	Rocker sill mldg., conv. cpe.	9.2
8	1242494	Rocker sill mldg., roadster	8.2
9	1256425	Rear fender shield, conv. cpe.	5.5
10	1252834	Fender mldg., conv. cpe.	3.3
11	1303285	Rear quarter belt mldg., conv. cpe.	2.2
12	1303317	Rear quarter belt mldg., conv. cpe.	2.2

Body Moulding

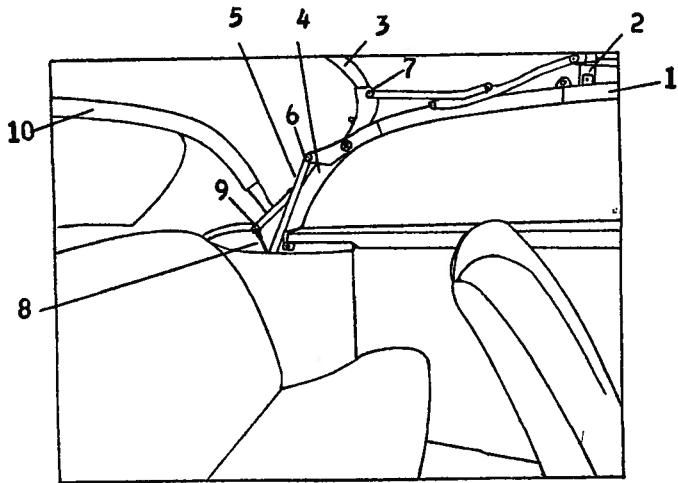
REAR DECK CONVERTIBLE COUPE AND ROADSTER

Item	Part No.	Description	Price
1	1303163	Deck lid assembly, conv. cpe.	36.50
1	1242237	Deck lid assembly, roadster	39.50
2	1303189	Hinge assembly, conv. cpe.	4.50
3	1298663	Lid catch, roadster and conv. cpe.	.40
4	1244478	W/strip, conv. cpe.	4.65
	1254678	Name plate, conv. cpe.	1.25
	1256574	Name plate, roadster	3.50
	1254997	Lock assembly, conv. cpe.	1.65
	1254997	Lock assembly, roadster	1.65
	1244887	Handle assembly, conv. cpe.	1.80
	1244887	Handle assembly, roadster	1.80
5	1303545	Brkt. prop arm, conv. cpe.
6	1303542	Deck lid prop., conv. cpe.



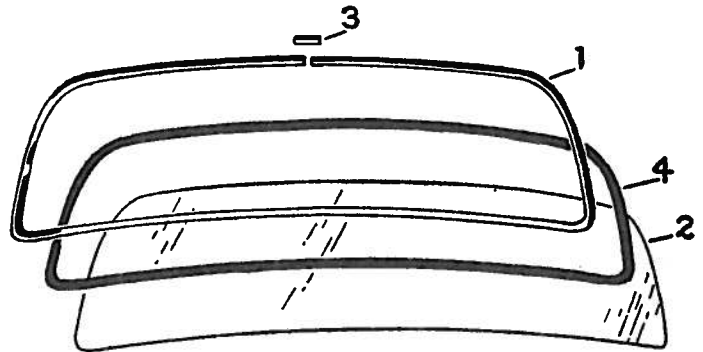
BODY PARTS 1949 DODGE

Models D29 and D30. ALL BODY STYLES



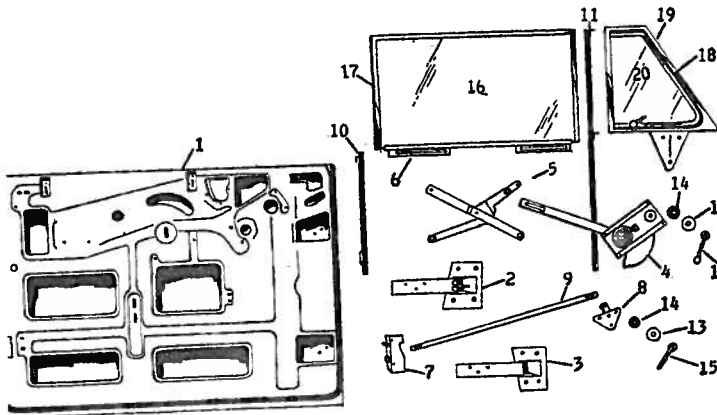
FOLDING TOP CONVERTIBLE COUPE AND ROADSTER

Item Part No.	Description	Price	Item Part No.	Description	Price
1	1298579—Frame top assembly, roadster, D.29.....	82.50	7	1249173—Link w/side rail No. 1 bow.....	2.75
2	1245261—Bow No. 1, conv. cpe, D.30	2.85	1248385	Brkt. No. 1 bow, front.....	1.50
3	1245287—Bow No. 2, conv. cpe.	2.85	1246737	Brkt. No. 1 bow, rear.....	2.50
4	1246285—Pillar, conv. cpe....	18.50	8	1249516—Cylinder assy. (incl. yoke).....	12.75
5	1246336—Prop. main control, conv. cpe.	2.25	9	1249423—Cylinder mounting brkt.	1.65
6	1246354—Link rear bow.....	2.75	10	1248993—Rear bow assembly.....



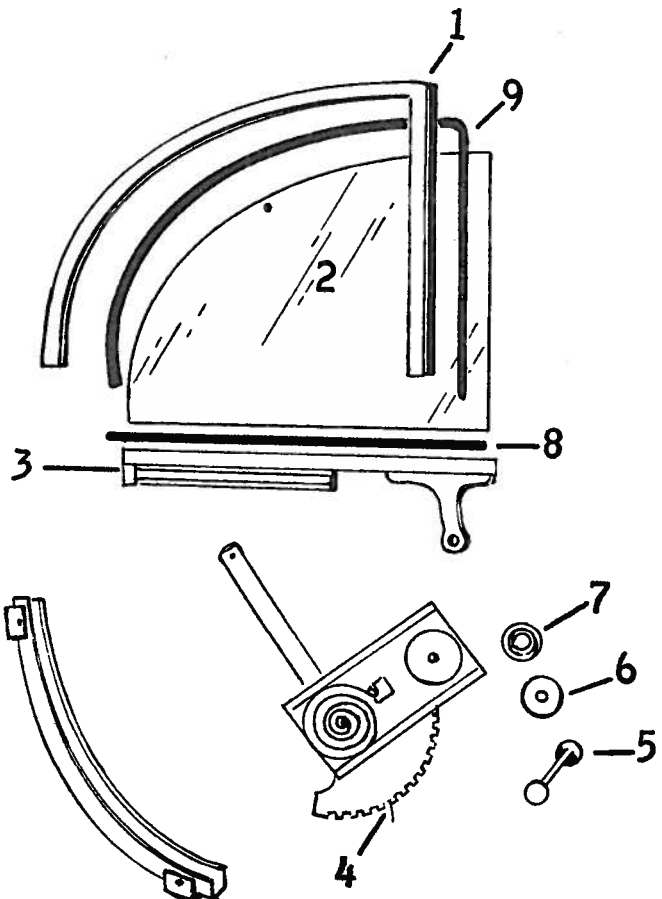
REAR WINDOW CLOSED COUPES

Item Part No.	Description	Price	Item Part No.	Description	Price
1	1256333—Midg., club cpe....	5.75	4	1242096—W/strip, 3 cpe., D.29.....	5.35
2	1242020—Glass, 3 cpe., D.29, P.O.A.	P.O.A.	4	1244039—W/strip, c. cpe....	3.85
3	1256334—Clip, outside, D.29-D.3035			



DOOR ASSEMBLY CONVERTIBLE AND ROADSTER

Item Part No.	Description	Price	Item Part No.	Description	Price
1	1249763—Door assembly ...	57.50	13	1298661—Escutcheon, roadster.....	.40
2	1301481—Door assembly ...	42.25	14	89796—Spring, conv. cpe. and roadster.....	.06
3	1244181—Hinge upper assy.	3.50	15	981381—Handle, conv. cpe. and roadster.....	1.00
4	1244188—Hinge lower assy.	3.15	1248019	Handle, outside, conv. cpe. and roadster.....	2.75
5	1249651—Regulator or plate	5.75	16	1308760—Glass door (plastic) roadster.....
6	1245631—Arm & pivot assy.	3.25	16	1248936—Door glass, conv. cpe.
7	1248835—Channel low. assy.	3.75	17	1246833—Door glass frame assy., conv. cpe.....	18.50
8	1308763—Channel low. assy.	1.75	18	1248959—Vent assy., conv. cpe.	23.50
9	1242694—Door lock	3.35	19	1247317—Vent frame, conv. cpe.	14.00
10	1296899—Remote control link, roadster.....	1.10	20	1248981—Vent glass, conv. cpe.
11	1244139—Remote control link, roadster.....			
12	1246990—Glass run, rear, conv. cpe.			
13	1248909—Division channel run, conv. cpe.60			
14	1296562—Regulator handle, conv. cpe.	1.60			
15	1296570—Escutcheon, conv. cpe.65			

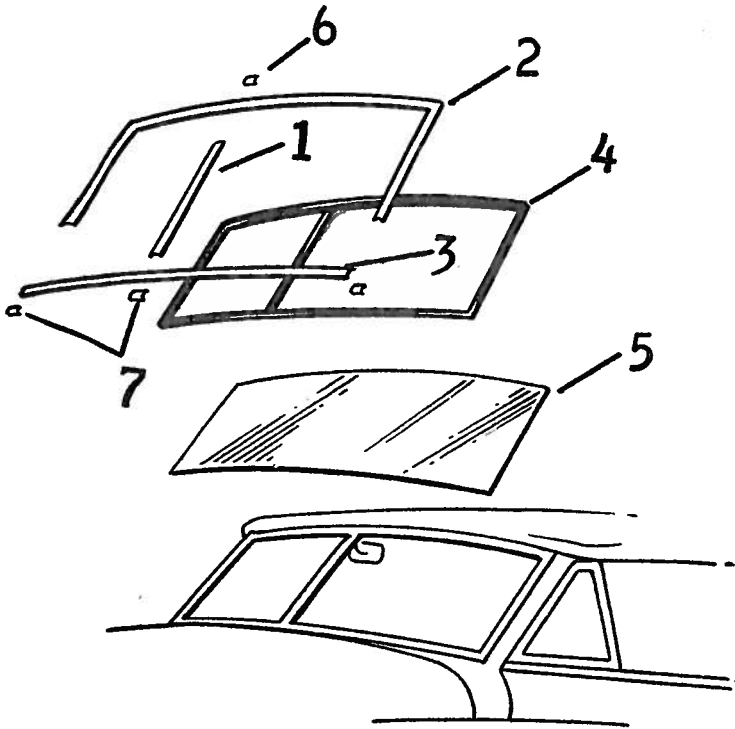


QUARTER WINDOW CONVERTIBLE

Item Part No.	Description	Price	Item Part No.	Description	Price
1	1248779—Frame	19.75	7	89796—Spring06
2	1246871—Glass	P.O.A.	1303221	Midg. assy. (white).....	4.75
3	1249081—Channel low. assy.	2.50	8	1248073—W/strip lower channel.....	.80
4	1247545—Support, lower45	9	1248139—W/strip up. channel.....	.75
5	1248878—Regulator assy.	3.75	1248967	W/strip window frame to door.....
6	1296582—Handle	1.60			
7	1296570—Escutcheon65			

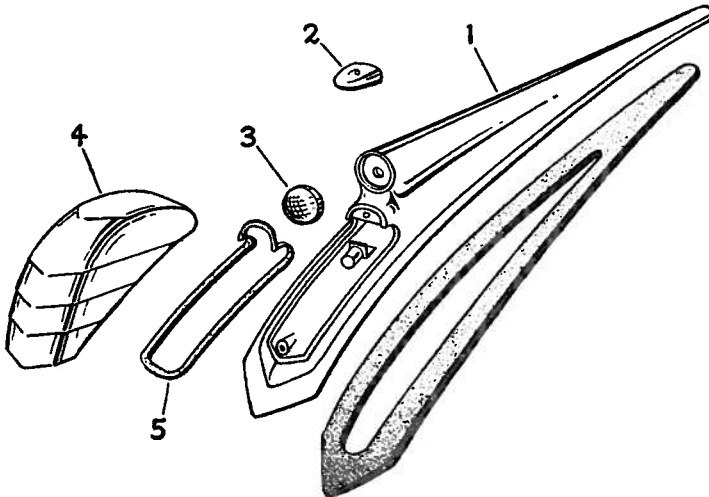
DODGE 1949 BODY PARTS

Models D29 and D30. ALL BODY STYLES



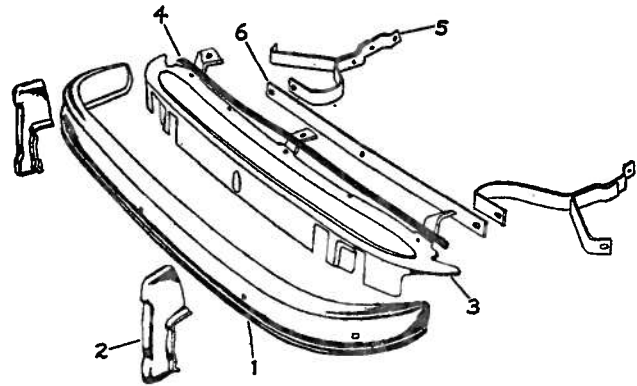
WINDSHIELD CONVERTIBLE COUPE AND ROADSTER

Item Part No.	Description	Price	Item Part No.	Description	Price
1	1247620—Bar finished, D.29-D.30	1.70	5	1246583—Glass, D.29-D.30 ..P.O.A.	.25
2	1303247—Midg., upper	6.50	6	1303488—Clip, up., chrome	.25
3	1248847—Midg., lower	1.50	7	1303490—Clip, lower, chrome	.25
4	1306647—W/Strip, D.29	9.50	7	1248851—Clip, lower	.35
			7	1256332—Clip, lower	.35



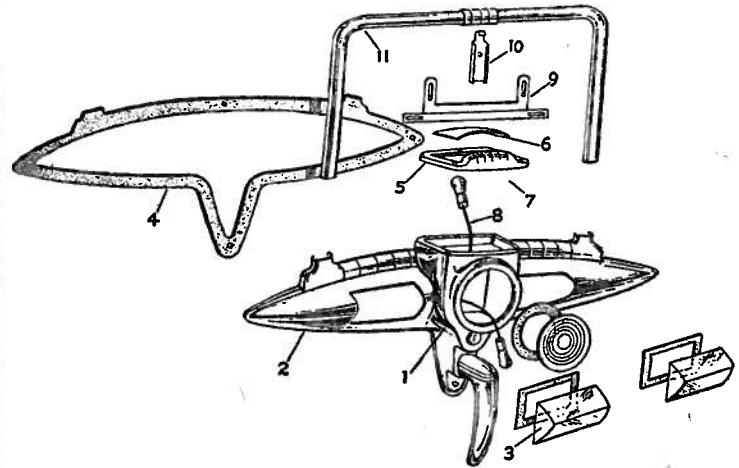
TAIL AND SIGNAL LAMP

Item Part No.	Description	Price	Item Part No.	Description	Price
1	1300548—Base tail lamp...	8.75	4	1300556—Lens, 4 D. Club cpe., conv. cpe.	1.30
2	1300552—Retainer chrome	.80	4	1257324—Lens gskt., 2 D.	.10
3	1235512—Reflector button	.20	5	1257325—Gasket, 2 D.	.15
	1257318—Shell, 2 D.	2.40	5	1244882—Gasket, 3 cpe. & roadster	.15
	1244877—Shell, 3 cpe., rdstr.	2.40	5	1302518—Gasket rubber, sta. wag.	.20
	1300899—Shell, conv. cpe.	8.75	5	1253147—Lens gasket, 3 cpe. & roadster	.10
	1257331—Housing, 2 D.	.85	5	1300861—Lens gasket, 4 D. C. cpe., conv. cpe.	.25
	1253159—Heng., 3 cpe. & rdstr.	4.75			
	1302556—Housing, chrome, sta. wag.	4.75			
4	1244881—Lens, 3 cpe. & rdstr.	.80			
4	1257323—Lens, 2 D.	.80			



REAR BUMPER

Item Part No.	Description	Price	Item Part No.	Description	Price
1	1141824—Face bar, 7 sed.	35.60	3	1302201—Stone deflector	6.80
1	1312492—Face bar, sta. wag.	19.25	4	313073—Shim defctr. to trunk	.10
1	1137698—Face bar, club cpe., conv. cpe., 4 D.	31.50	5	1316433—Support assy., exc. 2 D. & 7 sed.	4.75
2	1141805—Buffer plate, D30	5.25	5	1316441—Support assy., 2 D.	4.75
2	1142189—Buffer plate, 7 sed. & sta. wag.	6.25	5	1141822—Supt. assy., 7 sed.	11.50
3	1314110—Stone deflector, sta. wag.	2.80	5	1312500—Spt. assy., sta. wag.	6.75
			6	1316438—Support bar ctr., Exc. 7 sed.	3.35

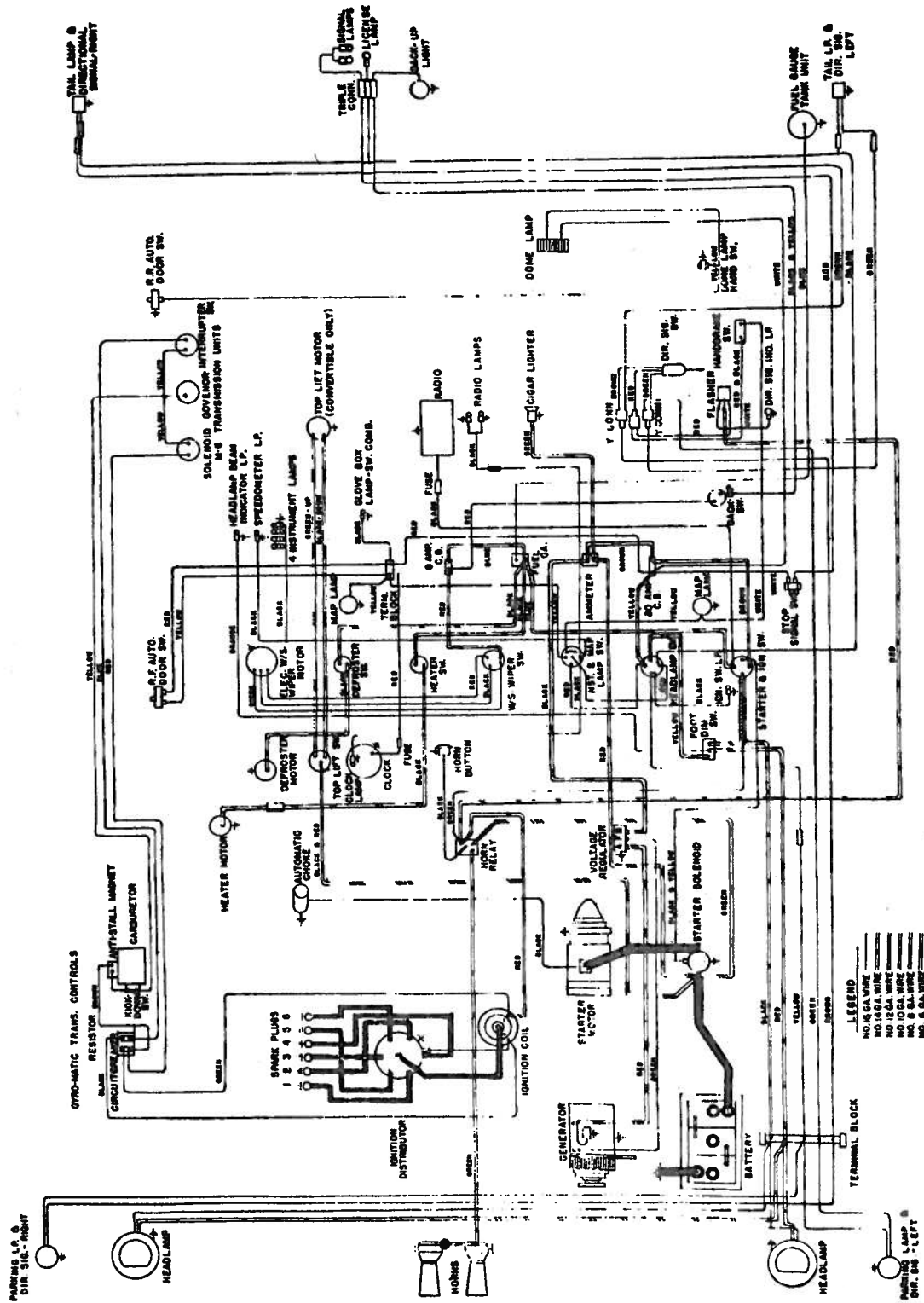


STOP LIGHT LICENSE PLATE LAMP

Item Part No.	Description	Price	Item Part No.	Description	Price
1	1244893—Stop & license & backup assy., 4 D. Cl. cpe. conv.	2.65	5	1244895—Bezel, 4 D. C. cpe. & conv. cpe.	1.65
1	1257960—Shell w/lens (stop lamp), 2 D. D29	10.65	6	1244896—Lens, 4 D. C. cpe. & conv. cpe.	.50
1	1257313—Shell w/stud., Exc. 2D. D29	8.50	7	1257456—Lens, sta. wag.	.50
2	1244887—Heng. (stop lamp), 4 D. C. cpe., conv. cpe.	.95	7	1244902—Gasket, 4 D. C. cpe. & conv. cpe.	.15
	1257636—Body assy., sta. wag.	6.95	8	1257457—Gasket, sta. wag.	.10
2	1257255—Lens stop lamp, D29	.70	8	1257468—Retain., sta. wag.	.06
3	1244901—Lens (stop lamp), 4 D., C. cpe. & conv. cpe.	.95	8	1257293—Socket assy., 4 D. C. cpe., conv. cpe.	.60
	1257454—Lens stop lamp, sta. wag.	.70	9	1244863—License bracket, 4 D. C. cpe., conv. cpe.	.40
4	1244908—Gasket, 4 D. C. cpe. & conv. cpe.	.60	9	1257460—License bracket, sta. wag.	.60
8	1257294—Gasket stop & license, D29	.60	9	1302583—License brkt., 2 D. & 3 cpe., 4 D. C. cpe., conv. cpe.	.60
4	1244903—Lens gasket (stop lamp), D29	.06	10	1244698—Clamp, 4 D. C. cpe., conv. cpe.	.10
			10	1302579—Clamp, conv. cpe.	.60
			11	1244913—License frame	2.85
				1314101—Lense. frame pkge.	2.85

WIRING 1949 DODGE

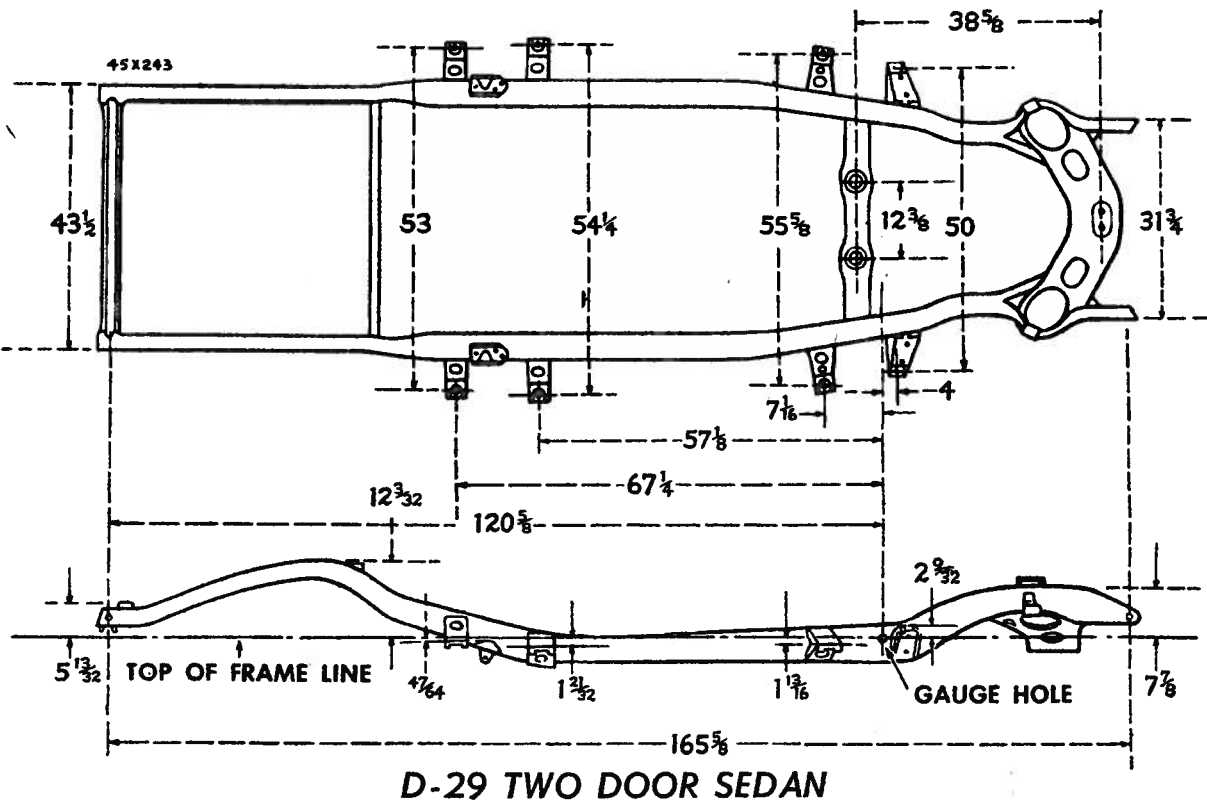
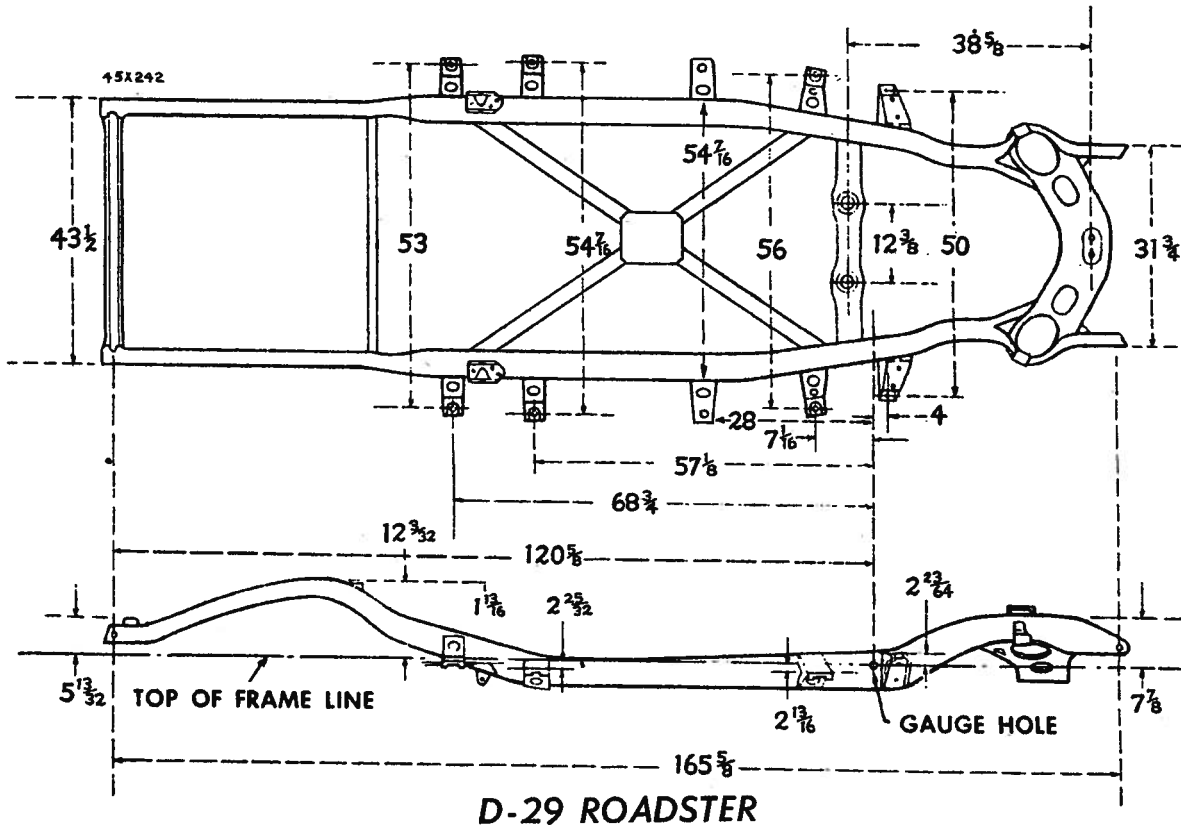
Model D30. ALL BODY STYLES



WIRING DIAGRAM - D-30 - WITH ALL ACCESSORIES

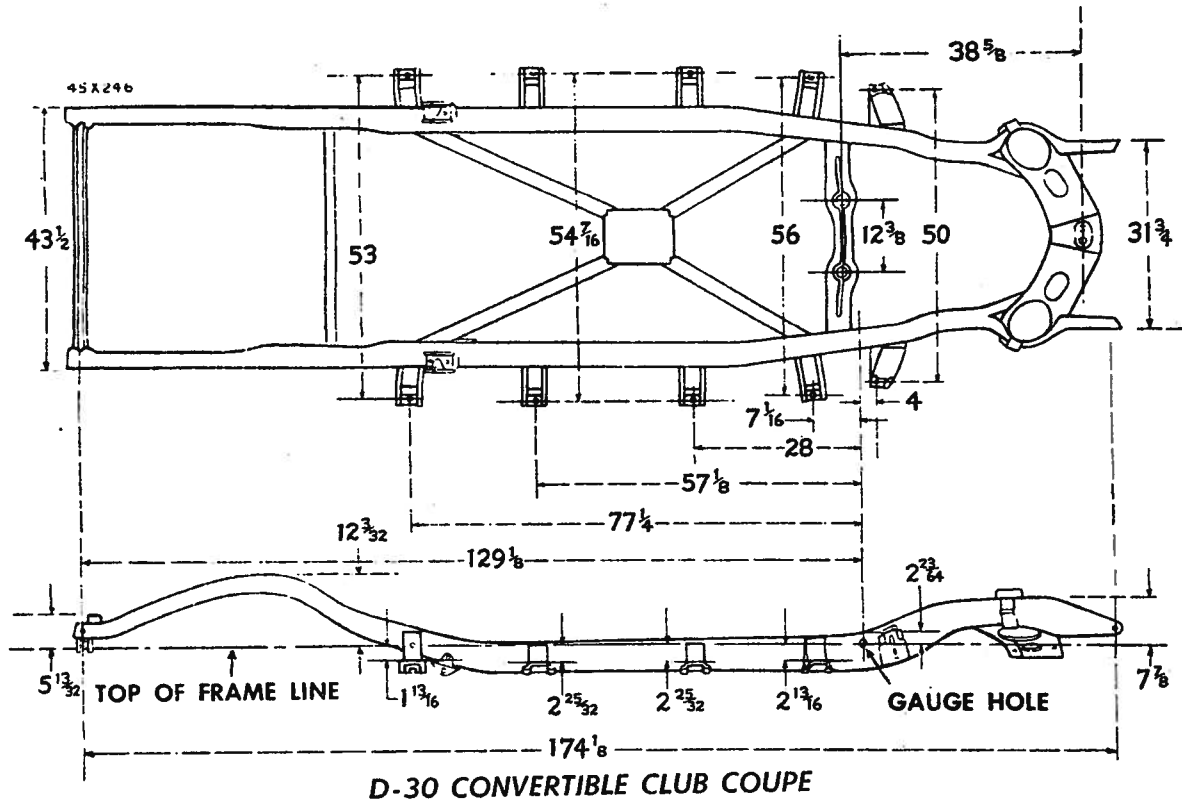
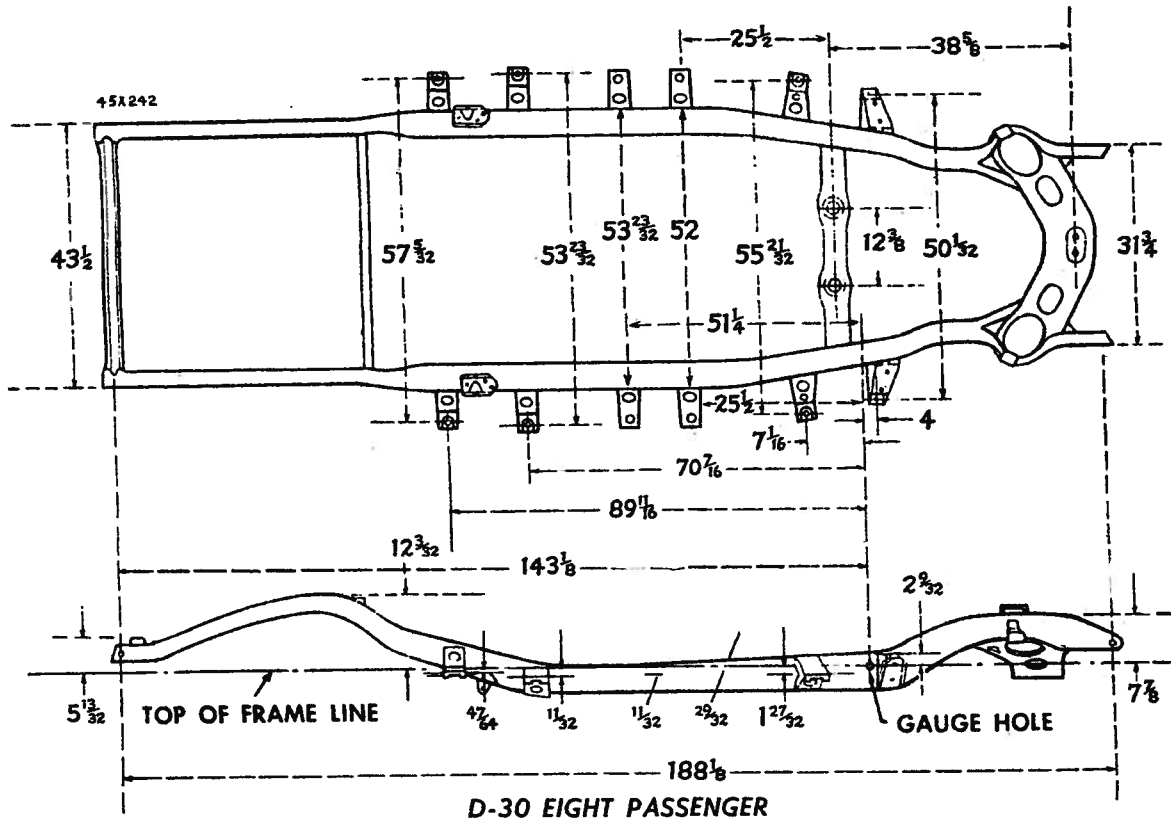
DODGE 1949 FRAME

Model D29. ALL BODY STYLES



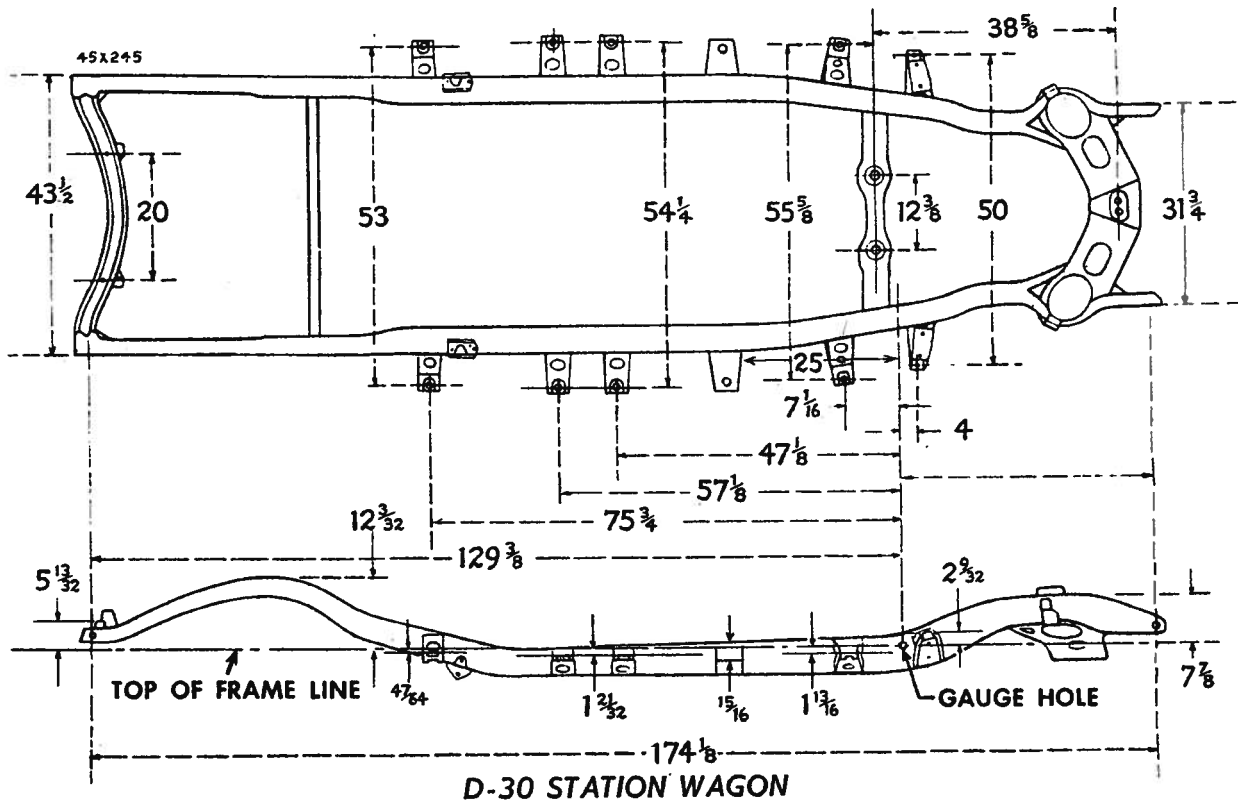
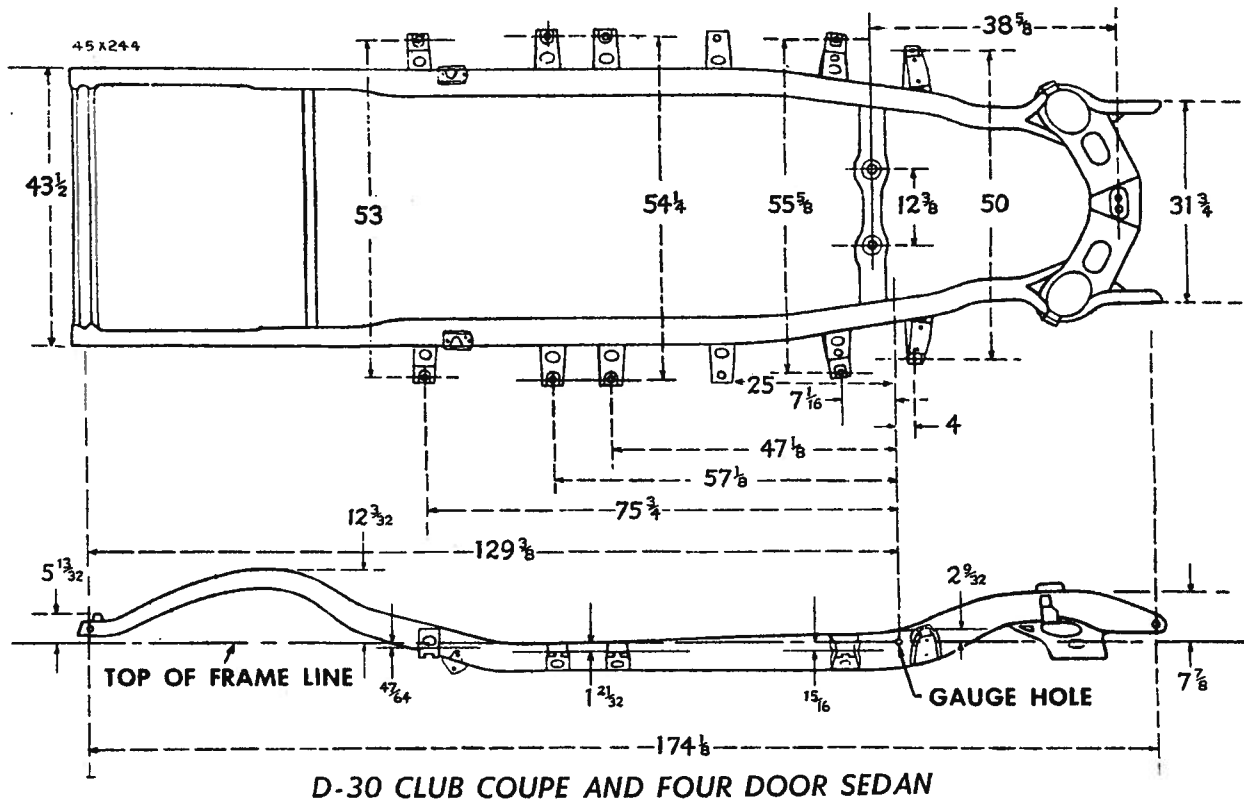
FRAME 1949 DODGE

Model D30. ALL BODY STYLES



DODGE 1949 FRAME

Model D30. ALL BODY STYLES



FLAT RATE 1949 DODGE

Models D29 and D30. ALL BODY STYLES

Chilton Job No.	Chilton Labor Price	Chilton Job No.	Chilton Labor Price	Chilton Job No.	Chilton Labor Price	Chilton Job No.	Chilton Labor Price	Chilton Job No.	Chilton Labor Price	Chilton Job No.	Chilton Labor Price	Chilton Job No.	Chilton Labor Price	Chilton Job No.	Chilton Labor Price
A		A—continued		A—continued		B—continued		C—continued		D		E—continued		E—continued	
2.00	7.00	2.00	20x. 10.00	3. 15.00	1. 2.50	2. 22.00	2. 12.00	3. 15.00	1. 1.50	1a. 3.00	3. 15.00	12. 12.00	2. 12.00	1. 87.00	
3.50	8.00	1.00		4. 1.50	1a. 4.50	3. 15.00	13. 15.00	4. 15.00	2. 2.50	2. 2.25	4. 15.00	3. 15.00	3. 20.00	2. 20.00	
4.00	9.00	3.50		5. 2.50	2. 10.50	11. 2.50	14. 2.50	5. 15.00	3. 1.75	5. 85.00	5. 105.00	4. 2.00	4. 15.00	3. 15.00	
6.00	10.00			6. 3.00	3. 15.00	12. 3.00	15. 1.50	6. 2.50	4. 2.25	6. 85.00	6. 85.00	5. 2.50	5. 15.00	4. 15.00	
	11.00	3.00		7. 3.50	4. 1.50	13. 3.50	16. 1.25	7. 7.50	6. 12.00	7. 7.50	7. 13.00	6. 1.50	6. 1.25	5. 8.00	
2.50	12.00	3.00		8. 2.50	5. 2.50	14. 2.50	17. 8.00	8. 3.50	7. 7.50	7x. 7.50	8. 13.00	7. 1.25	7. 1.25	6. 8.00	
4.50	13.00	1.50		9. 1.50	6. 2.50	15. 1.50	18. 8.00	9. 3.50	8. 8.50	8. 8.50	9. 3.00	8. 3.00	8. 3.00	7. 35.00	
8.75	14.00			10. 2.50	7. 2.50		19. 8.50	10. 2.50	9. 80.00	9x. 70.00	10. 35.00	9. 3.00	9. 3.00	8. 37.00	
3.00	15.00	.75		11. 2.50	8. 2.50		20. 4.00	11. 2.50	10. 65.00	10. 65.00	11. 37.00	10. 3.00	10. 3.00	9. 37.00	
3.50	16.00			12. 3.00	9. 2.50			12. 3.00	11. 70.00	11. 70.00	12. 37.00	11. 3.00	11. 3.00	10. 37.00	
5.00	17.00	1.25		13. 3.50	10. 2.50			13. 3.50	12. 85.00	12. 85.00	13. 37.00	12. 3.00	12. 3.00	11. 37.00	
8.00	18.00	8.00		14. 4.50	11. 2.50			14. 4.50	13. 35.00	13. 35.00	14. 37.00	13. 3.00	13. 3.00	12. 37.00	
12.00	20.00	8.00		15. 9.50	12. 1.50			15. 9.50	14. 37.00	14. 37.00	15. 37.00	14. 1.50	14. 1.50	13. 37.00	

STEERING GEOMETRY

ASTER: 1 degree negative to 1 degree positive. Zero degree preferred.

AMBER: Zero degree to 3/4 degree positive. Note —Left side 1/4 degree to 1/2 degree greater than right side.

OE-IN: Zero degree to 1/16. Zero degree preferred.

ING PIN INCLINATION: 4 3/4 to 6 degree.

ALL MODELS

AMBER: Is controlled by turning eccentric upper support bushing until correct adjustment is secured.

ASTER: Factory says not adjustable.

