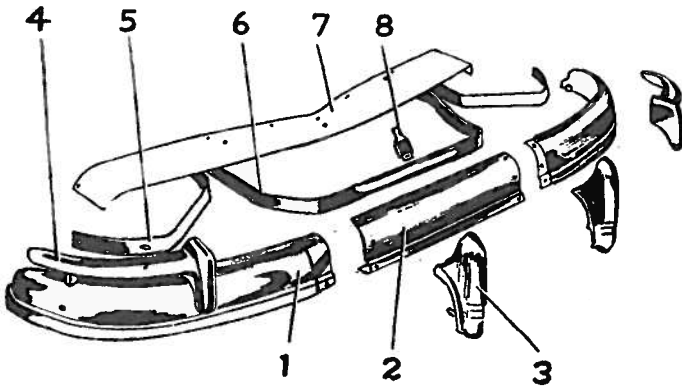


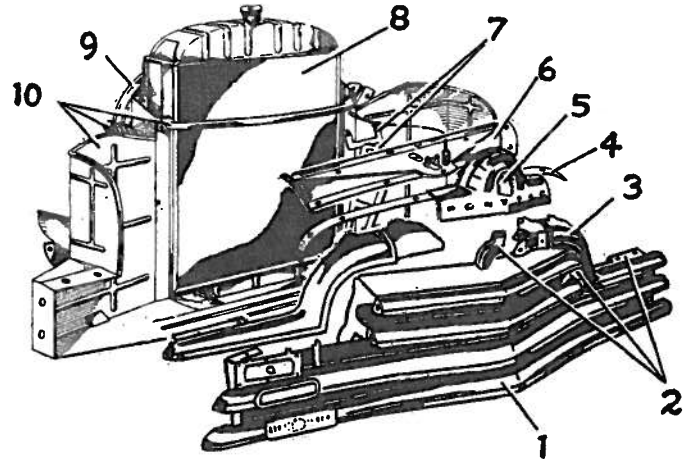
PONTIAC TORPEDO 1946 to 1948 BODY PARTS

Models 25 and 27. ALL BODY STYLES



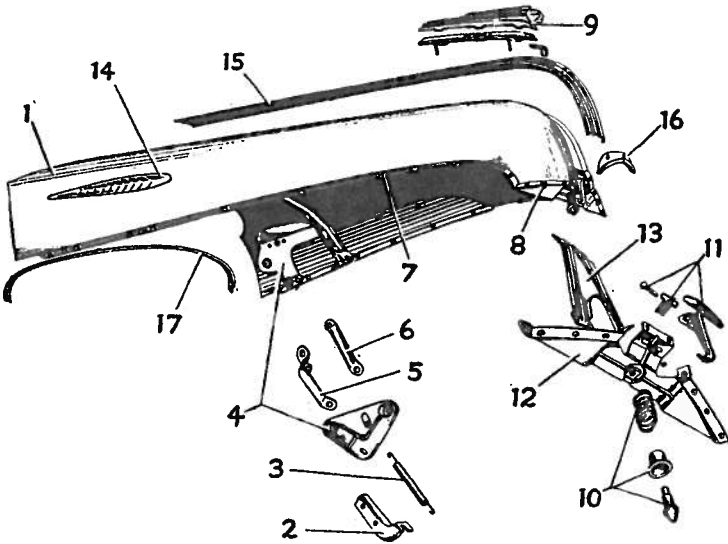
FRONT BUMPER, LEFT SIDE

| Item | Part No. | Description | Price | Item | Part No. | Description | Price |
|------|----------|----------------|-------|------|----------|---------------|-------|
| 1 | 508530 | Bar, out. | 14.25 | 6 | 508535 | Back bar, in. | 5.50 |
| 2 | 508528 | Bar, ctr. | 11.25 | 7 | 506964 | Apron, 46 | 4.90 |
| 3 | 509274 | Guard, in. | 5.50 | 7 | 510619 | Apron, 47, 48 | 4.60 |
| 4 | 508759 | Guard, out. | 5.75 | 8 | 510268 | Apron cushion | .12 |
| 5 | 508537 | Back bar, out. | 2.25 | | | | |



GRILLE, LEFT SIDE

| Item | Part No. | Description | Price | Item | Part No. | Description | Price |
|------|---------------------------|------------------------------------|-------|--------|------------------------|--|-------|
| 1 | Grille assembly: | | | 6 | 3664616 | Plate assy. hood catch, L., 48 | .85 |
| | 508870 | Inner, 46 | 10.75 | 510012 | Baffle, rad. sup., 47. | 2.15 | |
| | 508880 | Outer, 46 | 10.75 | 510534 | Baffle, rad. sup., 48. | 2.05 | |
| | 509597 | 1 pc., 47 | 44.00 | 7 | 506960 | Brace, lower plate to rad. sup., 46, 47. | 2.05 |
| | 510697 | 1 pc., 48 | 48.50 | 7 | 510575 | Brace, lower plate to rad. sup., 48 | 2.05 |
| | 508658 | Center panel, 46 | 6.65 | 8 | 3121015 | Core, rad., 46, 47-25 | 56.65 |
| 2 | Retainer, Rad. Grille: | | | 8 | 3121015 | Core, rad., 48-25 | 56.65 |
| | 509537 | Center, 47 | 1.20 | 8 | 3115919 | Core, rad., 46, 47, 48-27 | 70.45 |
| | 509539 | Outer, center, 47 | 1.20 | 9 | 505355 | Shroud, rad. to fan-25 | 2.00 |
| | 509541 | Outer, 47 | .50 | 9 | 505436 | Shroud rad. to fan-27 | 1.50 |
| | 510554 | Blade to vert. bar, 48 | .06 | 10 | 506967 | Sup., rad. shell with baffle 46, 47 | 16.75 |
| 3 | 508824 | Molding grille, 46 | .06 | 10 | 510580 | Sup., rad. shell with baffle, 48 | 16.75 |
| 3 | 509567 | Molding grille, 47 | 8.00 | | | | |
| 4 | 507128 | Grille supt., 46, 47 | .85 | | | | |
| 4 | 510526 | Grille supt., 48 | .85 | | | | |
| 5 | Radiator Emblem Assembly: | | | | | | |
| | 508941 | Emblem, 46 | 1.25 | | | | |
| | 508940 | Name plate, 46 | 6.00 | | | | |
| | 509565 | Name plate, 47 | 5.50 | | | | |
| | 510524 | Name plate, 48 | 6.50 | | | | |
| 6 | 508867 | Plate assy. hood catch, L., 46, 47 | 3.40 | | | | |

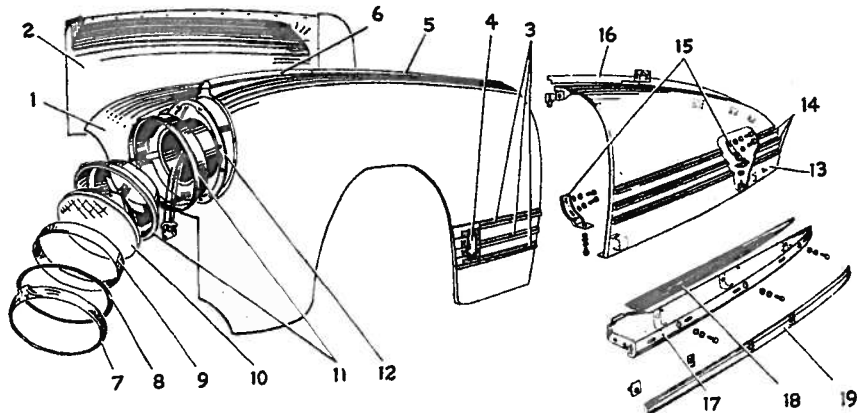


HOOD, LEFT SIDE

| Item | Part No. | Description | Price | Item | Part No. | Description | Price |
|------|-------------------|---------------------|-------|------|----------|--------------------------|-------|
| 1 | 508687 | Panel, up., 46, 47. | 14.80 | 11 | 508873 | Hood catch, 46, 47. | .30 |
| 1 | 510493 | Panel, up., 48 | 14.80 | 11 | 510572 | Catch assy., 48 | .50 |
| 2 | 507183 | Bracket, hinge | .50 | 12 | 508871 | Plate assy., up., 46, 47 | 3.05 |
| 3 | 507187 | Spring, hinge | .75 | 12 | 510573 | Plate assy., up., 48 | 3.05 |
| 4 | 508693 | Hinge w/reinf. | 10.30 | 13 | 507119 | Brace, up.-25 | .45 |
| 5 | 507186 | Link, rear | .30 | 14 | 508626 | Name plate, 46-25 | 1.45 |
| 6 | 507184 | Link, frt. | .30 | 14 | 508622 | Name plate, 46-27 | 1.75 |
| 7 | 503865 | Bumper, fender | .06 | 14 | 509531 | Ornament, 47 | 1.75 |
| 8 | 506351 | Bumper, plate | .06 | 14 | 510559 | Ornament, 48-25 | 1.75 |
| 9 | 508668 | Ornament, 46 | 3.45 | 14 | 510560 | Ornament, 48-27 | 2.00 |
| 9 | 509591 | Ornament, 47 | 4.00 | 15 | 506849 | Grille, hood, 46, 47. | 10.95 |
| 9 | 510563 | Ornament, 48 | 6.75 | 15 | 510488 | Grille, hood, 48 | 10.95 |
| | 510562 | Emblem, hood, 48. | 2.05 | 16 | 507087 | Grille, plate, 46, 47. | 1.25 |
| 10 | Pilot, hood lock: | | | 17 | 4125516 | Weatherstrip | 1.15 |
| | 506571 | Pilot | .17 | | | | |
| | 506572 | Spring | .05 | | | | |
| | 506573 | Retainer | .06 | | | | |

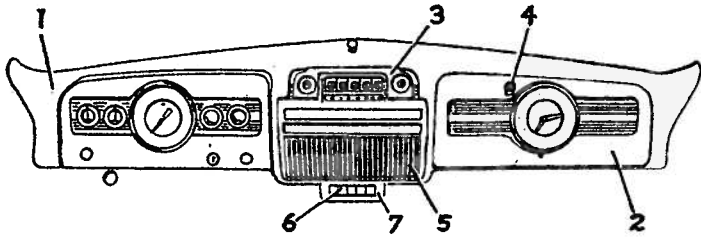
FRONT FENDERS, LEFT SIDE

| Item | Part No. | Description | Price |
|------|----------|------------------------|-------|
| 1 | 507207 | Fender, 46, 47 | 32.00 |
| 1 | 510469 | Fender, 48 | 32.00 |
| 2 | 506883 | Skirt | 6.25 |
| 3 | 510605 | Mldng., side, 48 dix. | 1.25 |
| 4 | 507121 | Molding, top | .80 |
| 6 | 507110 | Ornament, H. L. | 1.45 |
| 7 | 5932754 | Head lamp door | 2.70 |
| 8 | 914127 | Seal retainer | .05 |
| 9 | 924534 | Molding, inner | 1.10 |
| 10 | 925000 | Seal beam unit | 1.25 |
| 11 | 924535 | Lamp body | .65 |
| 12 | 507005 | Gasket | .17 |
| 13 | 508953 | Cap, 46, 47 | 7.50 |
| 13 | 510623 | Cap, 48 | 7.50 |
| 14 | 510607 | Mldng., cap, 48 dix. | 1.90 |
| 15 | 507692 | Support, cap frt. | .10 |
| 16 | 507820 | Anti-squeak | .35 |
| 17 | 507198 | Rocker panel ext. | 4.60 |
| 18 | 507397 | Mat | 1.30 |
| 19 | 508801 | Molding, fender & ext. | 2.50 |



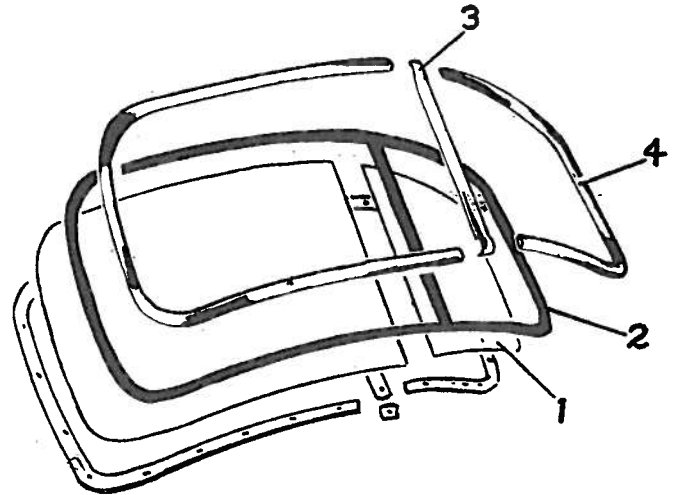
BODY PARTS 1946 to 1948 TORPEDO PONTIAC

Models 25 and 27. ALL BODY STYLES



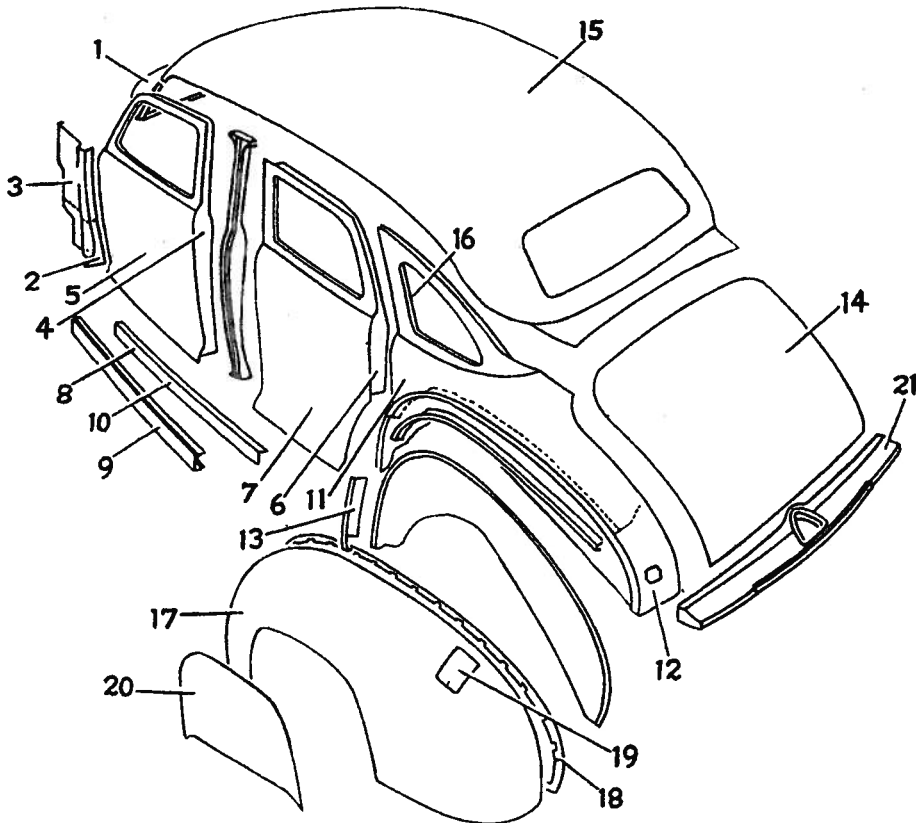
INSTRUMENT PANEL

| Item Part No. | Description | Price | Item Part No. | Description | Price |
|-----------------------------|------------------------------|-------|---------------|--------------------------------|-------|
| 1 Instrument Panel: | | | | | |
| 4147471 | w/transfer, 46, 47; ex. 67 | 13.25 | 4162470 | —48, ex. 67 | 8.65 |
| 4162722 | w/transfer, 48; ex. 67 | 13.25 | 3 508583 | —Plate, finish, w/rad.. | 2.50 |
| 4162303 | White, 46, 47, 48 —25, 27—67 | 13.25 | 3 508590 | —Plate, finish, w/o rad. | 2.50 |
| 4148803 | Transfer, 46, 47 | 2.75 | 4 4099315 | —Knob, door | .65 |
| 4162617 | Transfer, 48, ex. 67 | 2.75 | 5 508580 | —Panel, rad. gri. | 4.60 |
| 2 Door, Compartment: | | | | | |
| 4147633 | 46—25 | 8.50 | 5 509625 | —Panel, rad. w/name, 47, 48—27 | 1.00 |
| 4148235 | 46—27 | 8.50 | 6 505904 | —Panel, ash tray, 46, 47 | 1.50 |
| 4161118 | 47, ex. 67 | 8.50 | 6 510982 | —Panel, ash tray, 48 | 1.50 |
| 4162023 | Prime, 47, 48—25, 27—67 | 8.50 | 7 510706 | —Panel, heat ctrl. | 1.60 |
| | | | 7 507724 | —Transfer, Panel 46, 47 | .25 |
| | | | 7 510705 | —Transfer, Panel, 48 | .10 |



WINDSHIELD ASSEMBLY, LEFT SIDE 4 DOOR—W/¼ PL. WIND.

| Item Part No. | Description | Price | Item Part No. | Description | Price |
|---------------|-------------------------------|-------|---------------|---------------------------|-------|
| 1 4115809 | —Glass | 11.25 | 513066 | —Mirror, rear view.. | 1.75 |
| 4147631 | —Escutcheon, 46, 47. | .23 | 4160797 | —Sunshade, 46, 47.. | 3.50 |
| 4162450 | —Escutcheon, 48 | .23 | 4163473 | —Sunshade, 48 | 3.50 |
| 4147650 | —Mold., garnish, 46, 47 | 3.75 | 4113902 | —Support | 1.25 |
| 4162442 | —Mold., garnish, 48 | 3.75 | 2 4122594 | —Channel, w/s glass. | 4.50 |
| 4147646 | —Mold., w/s div., in., 46, 47 | .80 | 3 4114948 | —Mold., div., reveal, w/s | 1.15 |
| 4162623 | —Mold., w/s div., in., 48 | .80 | 4 4114444 | —Mold., reveal, w/s. | 1.75 |



CAR BODY, SHEET METAL, LEFT SIDE

4 DOOR—W/¼ PL. WDW.

| Item Part No. | Description | Price |
|---------------|--|-------|
| 1 4133386 | —Cowl & dash assy.. | 95.00 |
| 2 4165403 | —Leg assy., end pl.. | 6.25 |
| 3 4133388 | —Cowl side panel... | 5.25 |
| 4 4144110 | —Front door | 37.25 |
| 5 4144066 | —Frt. door panel | 14.50 |
| 6 4144114 | —Rear door | 33.75 |
| 7 4144335 | —Rr. door panel | 13.25 |
| 8 4132451 | —Rocker pl., in. | 3.45 |
| 9 4148901 | —Rocker pl., out. | 3.45 |
| 10 4148109 | —Center body pillar | 14.00 |
| 11 4148085 | —Rear quar. side pl. out. | 44.50 |
| 12 4129771 | —Rear quar. cor. pl., low rr., 46, 47. | 2.10 |
| 12 4162898 | —Rear quar. cor. pl. low. rr., 48 | 2.10 |
| 13 4550698 | —Panel, rr. body lock pillar | 3.25 |
| 14 4149870 | —Deck lid | 19.50 |
| 15 4114513 | —Roof panel | 43.50 |
| 16 4114903 | —Rear quar. side pl. in. | 4.50 |
| 17 506826 | —Fender, rear, 46, 47. | 13.00 |
| 17 510631 | —Fender, rear, 48 | 13.00 |
| 18 601726 | —Weatherstrip | .12 |
| 19 505332 | —Door, fuel tank | 1.25 |
| 20 507339 | —Shield, rr. fdr. Panel, 46, 47 | 5.75 |
| 20 510663 | —Shield, rr. fdr. Panel, 48 | 5.75 |
| | 506856—Deflector | 1.80 |
| 21 4114689 | —Pan, rear end, 1946, 47 | 6.90 |
| 21 4162711 | —Pan, rear end, 48.. | 9.00 |

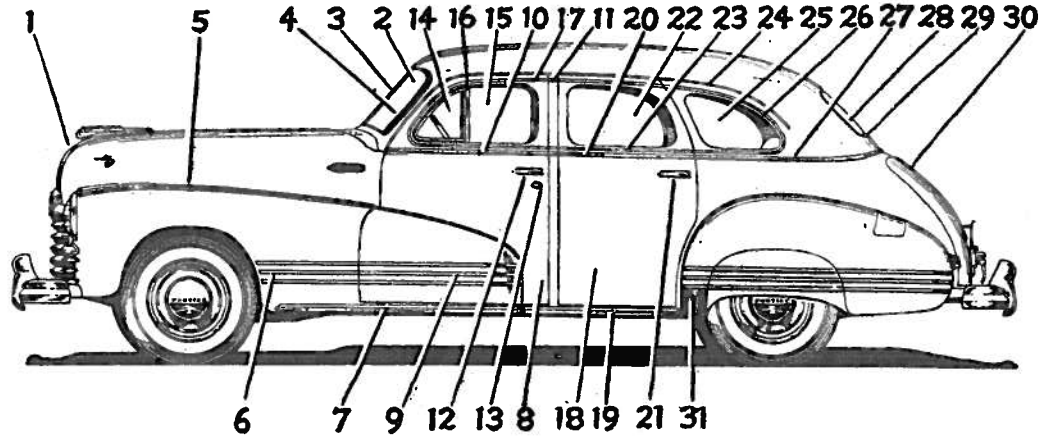
PONTIAC TORPEDO 1946 to 1948 BODY PARTS

Models 25 and 27. ALL BODY STYLES

CAR BODY, CHROME & TRIM MOLDING, LEFT SIDE

4 DOOR—W/¼ PL. WDW.

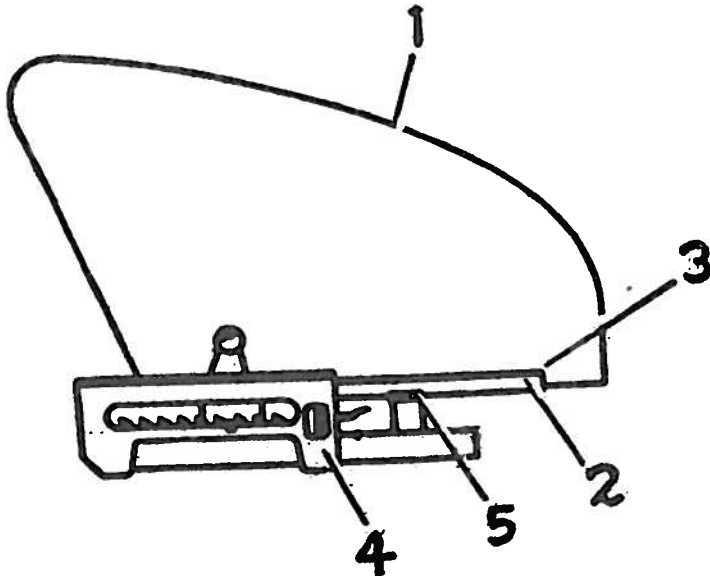
| Item Part No. | Description | Price |
|---------------|---|-------|
| 1 506849 | Molding, hood grille, 46, 47 | 10.95 |
| 1 510488 | Molding, hood grille, 48 | 10.95 |
| 2 4115809 | Glass, w/s | 11.25 |
| 3 4114948 | Molding, w/s div. | 1.15 |
| 4 4114444 | Mldng., w/s reveal. | 1.75 |
| 5 507121 | Mldng., frt. fender, top | .80 |
| 6 510805 | Molding, frt. fenders, side, 48—25, 2719D | 1.25 |
| 7 508801 | Mold., frt. fend. & rck. pl. ext. | 2.50 |
| 8 4144110 | Front door | 37.25 |
| 9 510607 | Mold, frt. dr. fend. cap, 48—25, 2719D | 1.90 |
| 10 4125963 | Mold., frt. dr. belt, 46, 47 | 1.00 |
| 10 4162502 | Mold., frt. dr. belt, 48 | 1.85 |
| 11 | Molding, Center Pillar | |
| 4125966 | Upper, 46, 47 | .35 |
| 4114356 | (2 pcs.) center reveal, 46, 47 | .35 |
| 4162529 | (2 pcs.) center reveal, 48 | .30 |
| 12 4146820 | Handle, frt. dr. | 2.25 |
| 13 4113800 | Lock, frt. door | 4.25 |
| 14 4115803 | Vent. glass, frt. dr. | 3.35 |
| 19 508797 | Mold., rck. pl. rr. | 1.75 |
| 20 4125968 | Molding, rr. dr. belt, up, 46, 47 | 1.45 |
| 20 4162506 | Molding, rr. dr. belt, 48 | 1.65 |
| 21 4146820 | Handle, rear dr. | 2.25 |
| 22 4115830 | Glass, rear dr. | 8.95 |
| 23 | Molding, Rear Door Wind. Reveal: | |
| 4114353 | Upper, 46, 47 | .80 |
| 4114355 | Lower, 46, 47 | .90 |
| 4162532 | Upper, 48 | .90 |
| 24 4114329 | Drip mold., frt. | .60 |
| 24 4114333 | Drip mold., rr. | .85 |
| 25 4115807 | Glass, rr. quart. wdw. | .45 |
| 26 | Molding, Rear Quart. Wind. Reveal: | |
| 4114362 | 46, 47 | 2.20 |
| 4162536 | 48 | 2.00 |
| 27 | Molding, Rear Quarter Belt: | |
| 4125976 | Upper, 46, 47 | 1.45 |
| 28 4116683 | Glass, rear wind. | 11.50 |
| 29 4125671 | Mold., rr. wind. reveal | 2.7 |
| 30 508811 | Molding, rr. lid, 46, 47 | 3.5 |
| 30 510542 | Molding, rr. lid, 48 | 3.5 |
| 31 | Shield, Rear Fender Stone: | |
| 506903 | 1946, 47 | 1.7 |
| 510738 | 1948, except "D's" | 1.8 |
| 510592 | 1948, "D's" | 3.2 |



| Item Part No. | Description | Price |
|---------------|-----------------------------------|-------|
| 19 508797 | Mold., rck. pl. rr. | 1.75 |
| 20 4125968 | Molding, rr. dr. belt, up, 46, 47 | 1.45 |
| 20 4162506 | Molding, rr. dr. belt, 48 | 1.65 |
| 21 4146820 | Handle, rear dr. | 2.25 |
| 22 4115830 | Glass, rear dr. | 8.95 |
| 23 | Molding, Rear Door Wind. Reveal: | |
| 4114353 | Upper, 46, 47 | .80 |
| 4114355 | Lower, 46, 47 | .90 |
| 4162532 | Upper, 48 | .90 |

| Item Part No. | Description | Price |
|---------------|------------------------------------|-------|
| 4162534 | Lower, 48 | .90 |
| 24 4114329 | Drip mold., frt. | .60 |
| 24 4114333 | Drip mold., rr. | .85 |
| 25 4115807 | Glass, rr. quart. wdw. | .45 |
| 26 | Molding, Rear Quart. Wind. Reveal: | |
| 4114362 | 46, 47 | 2.20 |
| 4162536 | 48 | 2.00 |
| 27 | Molding, Rear Quarter Belt: | |
| 4125976 | Upper, 46, 47 | 1.45 |

| Item Part No. | Description | Price |
|---------------|----------------------------|-------|
| 4162512 | 48 | 2.4 |
| 28 4116683 | Glass, rear wind. | 11.50 |
| 29 4125671 | Mold., rr. wind. reveal | 2.7 |
| 30 508811 | Molding, rr. lid, 46, 47 | 3.5 |
| 30 510542 | Molding, rr. lid, 48 | 3.5 |
| 31 | Shield, Rear Fender Stone: | |
| 506903 | 1946, 47 | 1.7 |
| 510738 | 1948, except "D's" | 1.8 |
| 510592 | 1948, "D's" | 3.2 |



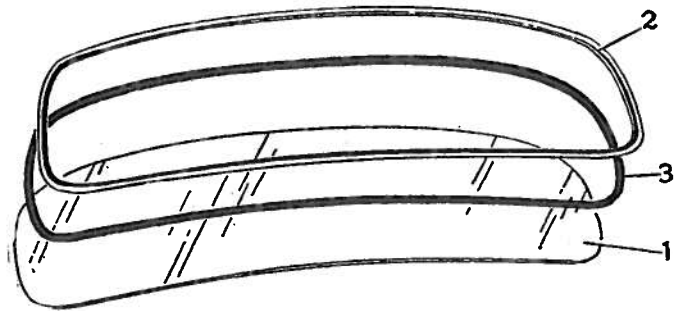
REAR QUARTER WINDOW HARDWARE, LEFT SIDE

4 DOOR—W/¼ PL. WINDOW

| Item Part No. | Description | Price | Item Part No. | Description | Price |
|---------------|---------------------------|-------|---------------|-------------------|-------|
| 1 4115807 | Glass | 7.35 | | Molding, garnish. | |
| 2 4114415 | Sash channel, low, w/reg. | 2.60 | 4147709 | 46, 47 | 8.95 |
| 3 603954 | Filler, low. chnl. | 1.90 | 4162484 | 48 | 8.95 |
| 4114873 | W/strip. | 1.00 | 4 4099974 | Cam | .35 |
| | | | 5 4131052 | Bumper | .06 |

REAR & TAIL LAMPS, LEFT SIDE

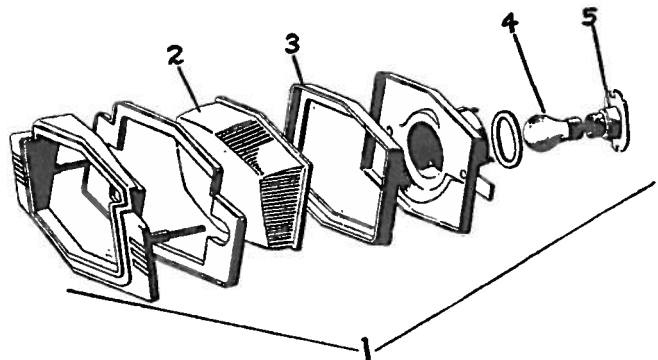
| Item Part No. | Description | Price |
|---------------|----------------------|-------|
| 1 | Tail Lamp Assembly: | |
| 927133 | 46, 47 | 5.10 |
| 927603 | w/bracket, 48 | 5.80 |
| 2 5931535 | Lens, 46, 47 | .85 |
| 2 5937590 | Lens, 48 | .95 |
| 3 5931534 | Gasket, 46, 47 | .10 |
| 3 5937599 | Gasket, 48 | .20 |
| 4 145416 | Bulb | .33 |
| 5 923599 | Socket assy., 46, 47 | .20 |
| 5 5937588 | Socket assy., 48 | .45 |



REAR WINDOW

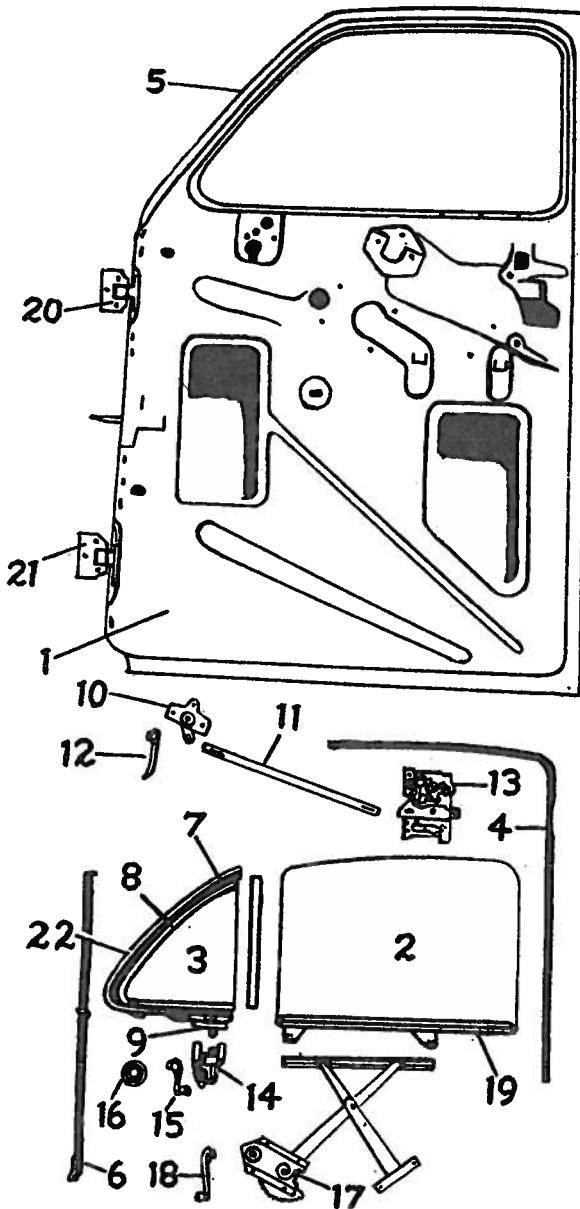
4 DOOR—W/¼ PL. WIND.

| Item Part No. | Description | Price |
|---------------|------------------|-------|
| 1 4116683 | Glass | 11.50 |
| 2 4125671 | Molding, reveal | 2.75 |
| 3 4125388 | Channel, glass | 2.75 |
| 3 4125397 | Channel, sealing | 1.15 |



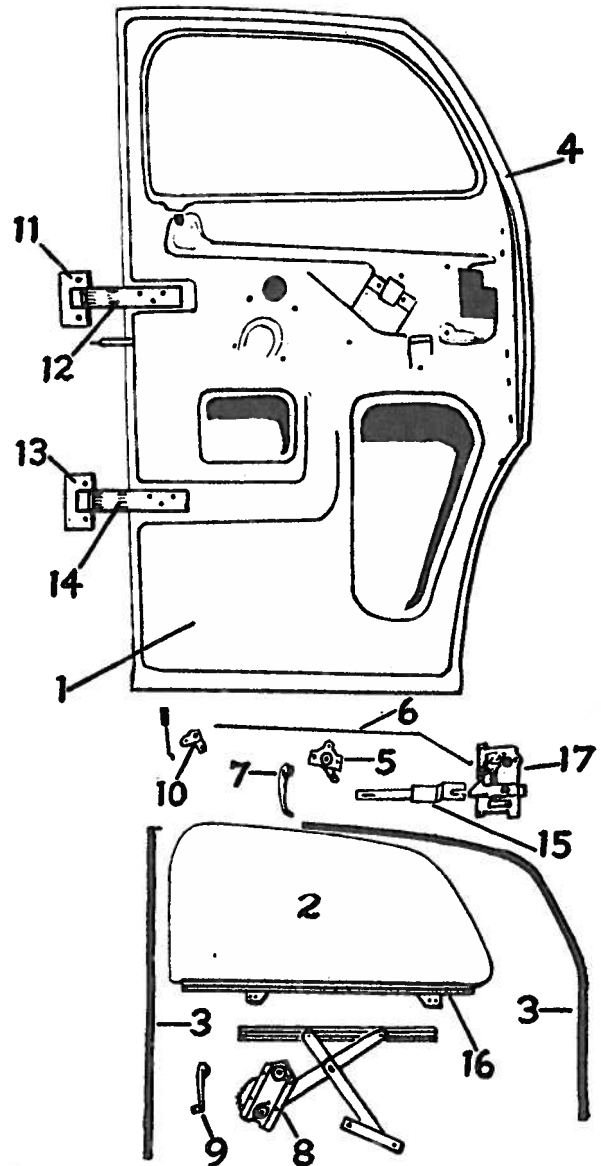
BODY PARTS 1946 to 1948 TORPEDO PONTIAC

Models 25 and 27. ALL BODY STYLES



FRONT DOOR HARDWARE, LEFT SIDE
4 DOOR—W/¼ PL. WIND.

| Item Part No. | Description | Price | Item Part No. | Description | Price |
|---------------|-----------------------|-------|---------------|---------------------|-------|
| 1 4144110 | Door | 37.25 | 4114134 | Rod, lock ctrl. | .12 |
| 2 4115803 | Glass | 6.10 | 14 4099412 | Regltr., vent. | 2.65 |
| 3 4115803 | Vent. glass | 3.35 | 15 4147635 | Handle, vent. reg. | 1.60 |
| 4147695 | Mold., garn., 46, 47 | 9.25 | 16 4146985 | Escutcheon, 46, 47 | .45 |
| 4162474 | Mold., garnish, 48 | 9.25 | 16 4351700 | Escutcheon, 48 | .45 |
| 4 4045914 | Channel, run | 1.65 | 4078002 | Spring | .06 |
| 5 4102157 | W/strip, dr. | .85 | 17 4114327 | Regltr., window | 3.65 |
| 6 4148797 | Channel, div., 46, 47 | 3.15 | 18 4147636 | Handle, wind. reg. | 1.45 |
| 6 4162447 | Channel, div., 48 | 3.15 | 4146985 | Escutcheon, 46, 47 | .45 |
| 7 4117558 | W/strip, vent. | 1.10 | 4351700 | Escutcheon, 48 | .45 |
| 8 4147564 | Chnl., vent. glass | 3.85 | 4078002 | Spring | .06 |
| 9 4128368 | Lock, vent. | .60 | 4131875 | Striker, door | .85 |
| 10 4133004 | Remote ctrl., lock | .85 | 4099828 | Cap, bmpr. | .20 |
| 11 4033996 | Link, con. | .28 | 4073913 | Plate, wedge | .35 |
| 12 4080143 | Handle, lock | 1.05 | 19 4102013 | Sash channel, w/cam | .80 |
| 4146985 | Escutcheon, 46, 47 | .45 | 20 4125228 | Hinge box, upper | 2.75 |
| 4351700 | Escutcheon, 48 | .45 | 21 4125273 | Hinge box, lower | 2.75 |
| 4078002 | Spring | .06 | 4132474 | Link check | .50 |
| 4113807 | Lever, lock ctrl. | .06 | 4132087 | Support, link | .30 |
| 13 4118800 | Lock assy. | 4.25 | 22 4114225 | Vent. assy. | 10.95 |



REAR DOOR HARDWARE, LEFT SIDE
4 DOOR—W/¼ PL. WINDOW

| Item Part No. | Description | Price | Item Part No. | Description | Price |
|---------------|------------------------|-------|---------------|-----------------------|-------|
| 1 4144114 | Door | 33.75 | 9 4147636 | Handle, wind. reg. | 1.65 |
| 2 4115830 | Glass | 8.95 | 4146985 | Escutcheon, 46, 47 | .45 |
| 4147697 | Midg., garnish, 46, 47 | 8.75 | 4351700 | Escutcheon, 48 | .45 |
| 4162478 | Midg., garnish, 48 | 8.75 | 4078002 | Spring | .06 |
| 5 4075477 | Channel, run | 1.65 | 10 4113807 | Lever, in. lock ctrl. | .12 |
| 4 4102157 | W/strip, dr. | .80 | 11 4114481 | Hinge box, up. | 1.65 |
| 5 4133004 | Remote ctrl., lock | .85 | 12 4117059 | Hinge strap, up. | 1.35 |
| 6 4131417 | Link, con. | .12 | 13 4118498 | Hinge box, low. | 1.15 |
| 7 4080143 | Handle, lock | 1.05 | 14 4099759 | Hinge strap, low. | 1.45 |
| 4146985 | Escutcheon, 46, 47 | .45 | 15 4114410 | Link, dr. check | .25 |
| 4351700 | Escutcheon, 48 | .45 | 15 4099843 | Support, link | .30 |
| 4078002 | Spring | .06 | 16 4115135 | Sash channel | .70 |
| 8 4110673 | Regltr., wind. | 3.80 | 17 4125852 | Lock assy. | 4.25 |

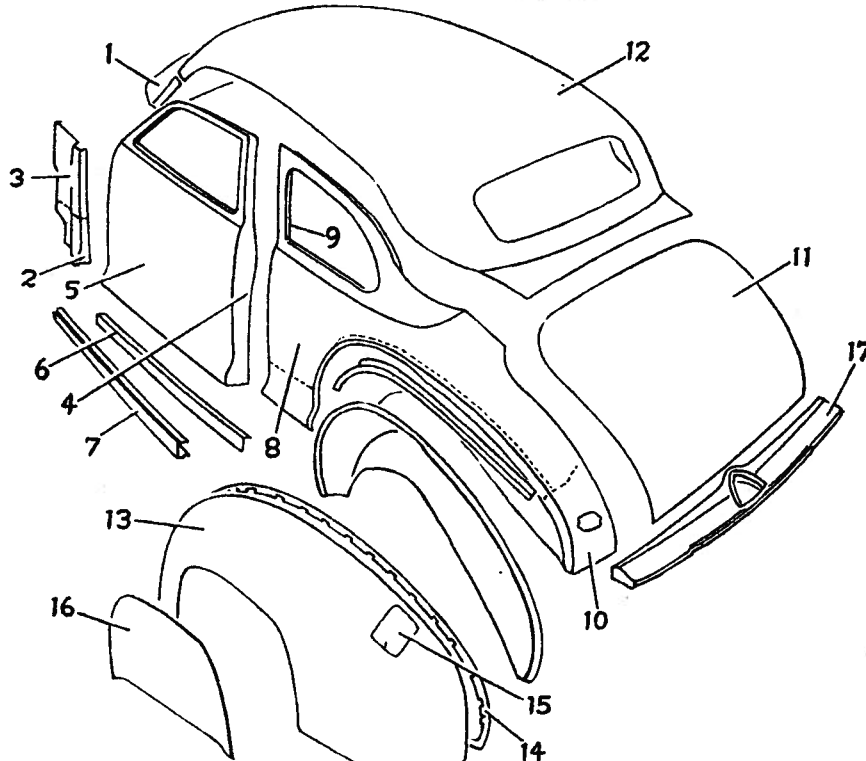
PONTIAC TORPEDO 1946 to 1948 BODY PARTS

Models 25 and 27. ALL BODY STYLES

CAR BODY, SHEET METAL, LEFT SIDE

2 DOOR—CLOSED TYPES

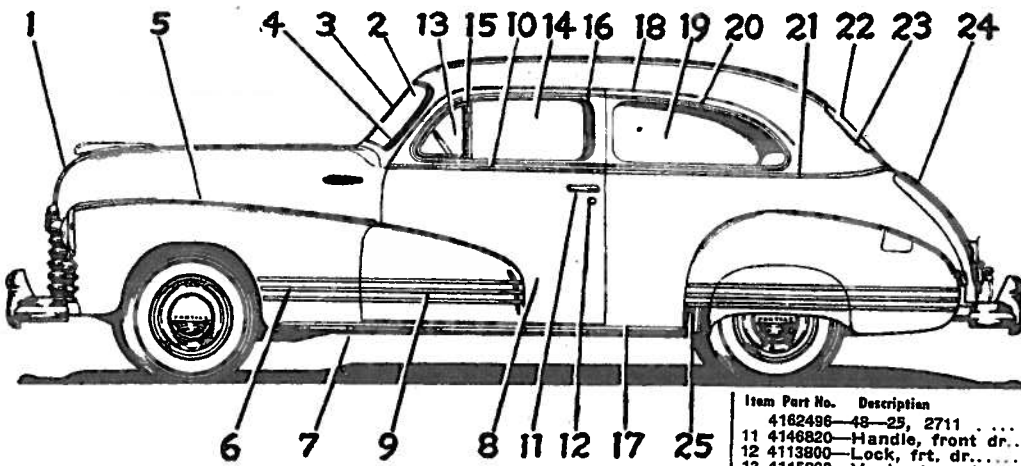
| Item Part No. | Description | Price |
|--|-------------|-------|
| 1 Cowl & Dash Assembly: | | |
| 413386—2527, 27B, 11 | | 95.00 |
| 4133729—2507 | | 95.00 |
| 2 4165403—Leg Assy., end pl. | | 6.25 |
| 3 4133388—Cowl side panel | | 5.25 |
| 4 Front Door: | | |
| 4144102—2527, 27B | | 43.65 |
| 4144096—2507 | | 44.25 |
| 4144106—2511 | | 37.25 |
| 5 Front Door Panel, Outer: | | |
| 4144076—2527, 27B | | 16.95 |
| 4144070—2507 | | 16.95 |
| 4144058—2511 | | 16.95 |
| 6 4132451—Rocker, pl., in. | | 3.45 |
| 7 4148901—Rocker pl., out. | | 3.45 |
| 8 Rear Quarter Side Panel, Out.: | | |
| 4148081—2527, 27B | | 44.50 |
| 4148089—2507 | | 44.50 |
| 4148083—2511 | | 44.50 |
| 9 Rear Quarter Side Panel, In.: | | |
| 4114909—2527, 27B | | 4.50 |
| 4132413—2507 | | 12.30 |
| 4114907—2511 | | 12.30 |
| 10 Rear Quarter Corner Panel, Low Rear: | | |
| 4127811—46, 47—2527, 27B | | 1.35 |
| 4147180—46, 47—2507 | | 2.10 |
| 4129771—46, 47—2511 | | 2.10 |
| 4183037—48—2527, 27B | | 2.10 |
| 4162896—48—2507 | | 2.10 |
| 4162898—48—2511 | | 2.10 |
| 11 Deck Lid: | | |
| 4147955—2527, 27B | | 25.50 |
| 4148869—2507 | | 25.50 |
| 4149870—2511 | | 19.50 |
| 12 4114515—Roof panel, 2527, 27B | | |
| 4114513—Roof panel, 2507, 11 | | 35.50 |
| 12 4132440—Roof panel, 2527 | | 43.50 |
| 13 506826—Fender, rear, 46, 47 | | 13.00 |
| 13 510631—Fender, rear, 48 | | 13.00 |
| 14 601726—Weatherstrip | | .12 |
| 15 505932—Door, fuel tank panel, 46, 47 | | 1.25 |
| 16 507539—Shield, rr. fdr. panel, 46, 47 | | 6.50 |



| Item Part No. | Description | Price |
|--------------------------------------|-------------|-------|
| 16 510663—Shield, rr. fdr. panel, 48 | | 6.50 |
| 506856—Deflector | | 1.80 |
| 17 Pan, Rear End: | | |

| Item Part No. | Description | Price |
|------------------------------|-------------|-------|
| 4114699—46, 47—2527, 27B, 11 | | 6.90 |
| 4132395—46, 47—2507 | | 6.90 |

| Item Part No. | Description | Price |
|----------------------|-------------|-------|
| 4162708—48—2527, 27B | | 8.50 |
| 4162711—48—2511 | | 9.00 |
| 4162710—48—2507 | | 9.00 |



CAR BODY, CHROME & TRIM MOLDINGS, LEFT SIDE

2 DOOR—CLOSED TYPES

| Item Part No. | Description | Price |
|--|-------------|-------|
| 1 506849—Molding, hood grille, 46, 47 | | 10.95 |
| 1 510488—Molding, hood grille, 48 | | 10.95 |
| 2 Glass, Windshield: | | |
| 4115809—All, exc. 25, 2707 | | 11.25 |
| 4125235—25, 2707 | | 9.75 |
| 3 Molding, W/S Division: | | |
| 4114948—All exc. 25, 2707 | | 1.15 |
| 4 Molding, W/S Reveal: | | |
| 4114444—All exc. 25, 2707 | | 1.75 |
| 4125887—25, 2707 | | 1.75 |
| 5 507121—Molding, frt. fndr., top | | .80 |
| 6 510605—Mold., frt. fndr. side 48—25, 2707D | | 1.25 |

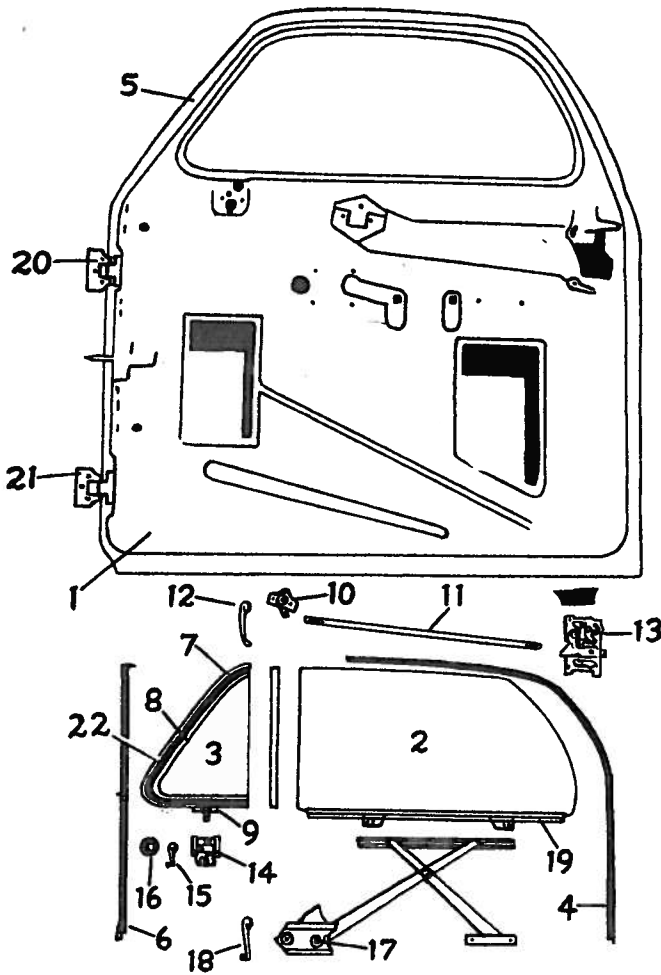
| Item Part No. | Description | Price |
|--|-------------|-------|
| 7 508801—Mold., frt. fndr. & rck. pl. ext. | | 2.50 |
| 8 Front Door: | | |
| 4144102—25, 2727, 27B | | 43.65 |
| 4144096—25, 2707 | | 44.25 |
| 4144108—25, 2711 | | 43.65 |
| 9 510807—Mold., frt. dr. fndr. cap. 48—25, 2707D | | 1.90 |
| 10 Molding, Front Door Belt: | | |
| 4125961—Upper, 46, 47—25, 2727, 27B | | 1.15 |
| 4125962—Upper, 46, 47—25, 2707 | | 1.15 |
| 4125959—Upper, 46, 47—25, 2711 | | 1.15 |
| 4162500—48—25, 2727, 27B | | 2.00 |
| 4162498—48—25, 2707 | | 2.00 |

| Item Part No. | Description | Price |
|---|-------------|-------|
| 4162496—48—25, 2711 | | 2.00 |
| 11 4146820—Handle, front dr. | | 2.25 |
| 12 4113800—Lock, frt. dr. | | 4.25 |
| 13 4115803—Vent. glass, frt. dr., 25, 2727, 27B, 11 | | 3.50 |
| 13 4125272—Vent. glass, frt. dr., 25, 2707 | | 3.50 |
| 14 Glass, Front Door: | | |
| 4115804—25, 2727, 27B | | 8.95 |
| 4117561—25, 2711 | | 9.45 |
| 4125241—25, 2707 | | 9.10 |
| 15 Molding, Wind. Div. Chnl.: | | |
| 4148797—46, 47—25, 2727, 27B, 11 | | 3.15 |
| 4148876—46, 47—25, 2707 | | 3.15 |
| 4162447—48—25, 2727, 27B, 11 | | 3.15 |
| 4162461—48—25, 2707 | | 3.15 |
| 4114349—46, 47—25, 2727, 27B | | 2.60 |
| 16 Molding, Window Reveal: | | |
| 4114347—46, 47—25, 2711 | | 2.60 |
| 4125711—46, 47, 48—25, 2707 | | 6.35 |
| 4162526—48—25, 2727, 27B | | 2.85 |
| 4162524—48—25, 2711 | | 2.85 |

| Item Part No. | Description | Price |
|---|-------------|-------|
| 17 508797—Mold., rck. pl. rr. | | 1.75 |
| 18 Drip Moldings: | | |
| 4114329—Frt., 25, 2727, 27B, 11 | | .60 |
| 4125707—Frt., 25, 2707 | | .60 |
| 4114331—Rear, 25, 2727, 27B | | .60 |
| 4114333—Rear, 25, 2711 | | .85 |
| 4125709—Rear, 25, 2707 | | .60 |
| 19 Glass, Rear Quarter Window: | | |
| 4115811—25, 2727 | | 8.40 |
| 4117575—25, 2727B | | 6.30 |
| 4115808—25, 2711 | | 13.10 |
| 4125274—25, 2707 | | 9.95 |
| 20 Molding, Rr. Quart. Wind. Reveal: | | |
| 4114360—46, 47—25, 2727, 27B | | 2.20 |
| 4114358—46, 47—25, 2711 | | 2.45 |
| 4162540—48—25, 2727, 27B | | 2.25 |
| 4162538—48—25, 2711 | | 2.85 |
| 4125713—46, 47, 48—25, 2707 | | 4.90 |
| 21 Molding, Rear Quarter Belt: | | |
| 4125974—Upper, 46, 47—25, 2727, 27B | | 1.45 |
| 4125972—Upper, 46, 47—25, 2711 | | 2.00 |
| 4125986—Upper, 46, 47—25, 2707 | | 1.75 |
| 4162516—48—25, 2727, 27B | | 1.75 |
| 4162510—48—25, 2711 | | 2.30 |
| 4162322—48—25, 2707 | | 2.85 |
| 4125972—48—25, 2707 | | 2.30 |
| 22 4116683—Glass, rr. wind., 25, 2727, 27B, 11 | | |
| 4125275—Glass, rr. wind., 25, 2707 | | 11.50 |
| 23 Molding, Rear Window Reveal: | | |
| 4125671—25, 2727, 27B, 11 | | 2.75 |
| 4125922—25, 2707 | | 2.75 |
| 24 508811—Molding, rr. lid, 46, 47—25, 2711 | | |
| 508813—Molding, rr. lid, 46, 47—25, 2707 | | 3.50 |
| 510542—Molding, rr. lid, 48—25, 2711 | | 4.25 |
| 510543—Molding, rr. lid, 48—25, 2707 | | 3.50 |
| 510542—Molding, rr. lid, 48—25, 2707 | | 4.25 |
| 25 Shield, Rear Fender Stone: | | |
| 506903—1946, 47 | | 1.75 |
| 510738—1948, except "D's" | | 1.85 |
| 510592—1948, "D's" | | 3.25 |

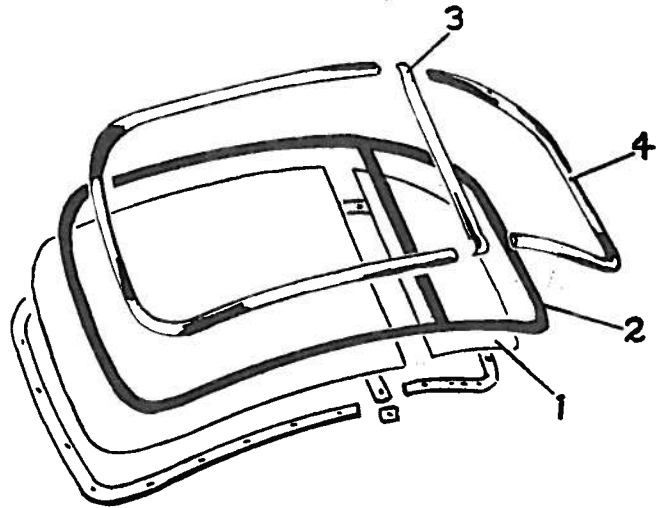
BODY PARTS 1946 to 1948 TORPEDO PONTIAC

Models 25 and 27. ALL BODY STYLES



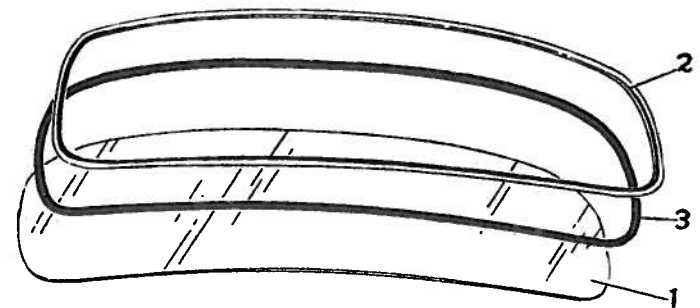
FRONT DOOR HARDWARE, LEFT SIDE
2 DOOR—CLOSED TYPES

| Item Part No. | Description | Price | Item Part No. | Description | Price |
|----------------------------------|--|-----------------------|--|----------------------------|-------|
| 1 | Door, Front: | | 9 | 4128368—Lock, vent. | .60 |
| 4144102—25, 2727, 27B | 43.65 | 10 | 4133004—Remote ctrl., lock. | .85 | |
| 4144096—25, 2707 | 44.25 | 11 | 4131438—Link, con. | .28 | |
| 4144106—25, 2711 | 43.65 | 12 | 4090143—Handle, lock | 1.05 | |
| 2 | Glass, Door: | | 14 | 4146985—Escutcheon, 46, 47 | .45 |
| 4115804—25, 2727, 27B | 8.95 | 15 | 4551700—Escutcheon, 48 | .45 | |
| 4117561—25, 2711 | 9.45 | 16 | 4078002—Spring | .06 | |
| 4125241—25, 2707 | 9.10 | 13 | 4113800—Lock assy. | 4.25 | |
| 3 | 4115803—Vent. glass, 25, 2727, 27B, 11 | 3.50 | 4113807—Level, lock ctrl. | .06 | |
| 3 | 4125272—Vent. glass, 25, 2707 | 3.50 | 4114985—Rod, lock ctrl., 25, 2727, 27B | .12 | |
| | Molding, Garnish: | | 4125500—Rod, lock strl., 25, 2707 | .12 | |
| 4147699—46, 47-25, 2727, 27B | 9.25 | 14 | 4099412—Regltr., vent. | 2.65 | |
| 4147701—46, 47-25, 2707 | 9.25 | 15 | 4147635—Handle, vent. reg. | 1.65 | |
| 4147703—46, 47-25, 2711 | 10.65 | 16 | 4146985—Escutcheon, 46, 47 | .45 | |
| 4162472—48-25, 2727, 27B | 9.25 | 16 | 4551700—Escutcheon, 48 | .45 | |
| 4162469—48-25, 2707 | 9.25 | 17 | 4078002—Spring | .06 | |
| 4162628—48-25, 2711 | 10.65 | 18 | 4125878—Regltr., wind | 4.10 | |
| 4 | 4045914—Channel, run, exc. 25, 2711 | 1.65 | 18 | 4147636—Handle, wind. reg. | 1.45 |
| 4 | 4073477—Channel, run, 25, 2711 | 1.95 | 4146985—Escutcheon, 46, 47 | .45 | |
| 5 | 4102157—W/strip, door | .85 | 4551700—Escutcheon, 48 | .45 | |
| 6 | Channel, Wind, Division: | | 4078002—Spring | .02 | |
| 4148797—46, 47-25, 2727, 27B, 11 | 3.15 | 4131875—Striker, door | .85 | | |
| 4148876—46, 47-25, 2707 | 3.15 | 4098828—Cap, bmpr. | .20 | | |
| 4162447—48-25, 2727, 27B, 11 | 3.15 | 4073913—Plate, wedge | .35 | | |
| 4162461—48-25, 2707 | 3.15 | 19 | 4114464—Sash channel, 2527, 27B | .90 | |
| 7 | 4117558—W/strip, vent., exc. 25, 2707 | 1.10 | 19 | 4114462—Sash channel, 2511 | .90 |
| 7 | 4134792—W/strip, vent., 25, 2707 | 1.10 | 19 | 4125844—Sash channel, 2507 | .90 |
| 8 | Channel, Vent. Glass: | | 20 | 4125228—Hinge box, upper | 2.75 |
| 4147564—25, 2727, 27B, 11 | 3.85 | 21 | 4125273—Hinge box, lower | 2.75 | |
| 4147800—25, 2707 | 3.85 | 22 | 4132474—Link, check | .50 | |
| | | 22 | 4132087—Support, link | .30 | |
| | | 22 | 4114225—Vent. assy., 2527, 27B, 11 | 10.95 | |
| | | 22 | 4125705—Vent. assy., 2507 | 10.95 | |



WINDSHIELD ASSEMBLY, LEFT SIDE
2 DOOR—CLOSED TYPES

| Item Part No. | Description | Price | Item Part No. | Description | Price |
|----------------------------------|---------------------------------------|-------|---|--|-------|
| 1 | 4115809—Glass, 25, 2727, 27B, 11 | 11.25 | 4162625—48-25, 2707 | .80 | |
| 1 | 4125235—Glass, 25, 2707 | 9.75 | 513066—Mirror, R. view | 1.75 | |
| 4147631 | Escutcheon, 46, 47 | .23 | 4160797—Sunshade, 46, 47 | 3.50 | |
| 4162450 | Escutcheon, 48 | .23 | 4163473—Sunshade, 48 | 3.75 | |
| 4147650 | Mold., gar., 46, 47-25, 2727, 27B, 11 | 3.75 | 4113902—Support, exc. 25, 2707 | 1.25 | |
| 4162442 | Mold., gar., 48-25, 2727, 27B, 11 | 3.75 | 4113904—Support, 25, 2707 | 1.25 | |
| 4147920 | Mold., gar., 46, 47-25, 2707 | 3.75 | 2 | 4122594—Channel, w/s glass, exc. 25, 2707 | 4.50 |
| 4162457 | Mold., gar., 48-25, 2707 | 3.75 | 2 | 4125418—Channel, w/s glass, 25, 2707 | 4.50 |
| | Molding, W/s Division, In.: | | 3 | 4114948—Mold., div., reveal, exc. 25, 2707 | 1.15 |
| 4147646—46, 47-25, 2727, 27B, 11 | .80 | 3 | 4125921—Mold., div., reveal, 25, 2707 | 1.15 | |
| 4147726—46, 47-25, 2707 | .80 | 4 | 4114444—Mold., reveal, w/s, exc. 25, 2707 | 1.75 | |
| 4162623—48-25, 2727, 27B, 11 | .80 | 4 | 4125687—Mold., reveal, w/s, 25, 2707 | 1.75 | |



REAR WINDOW
2 DOOR—CLOSED TYPE

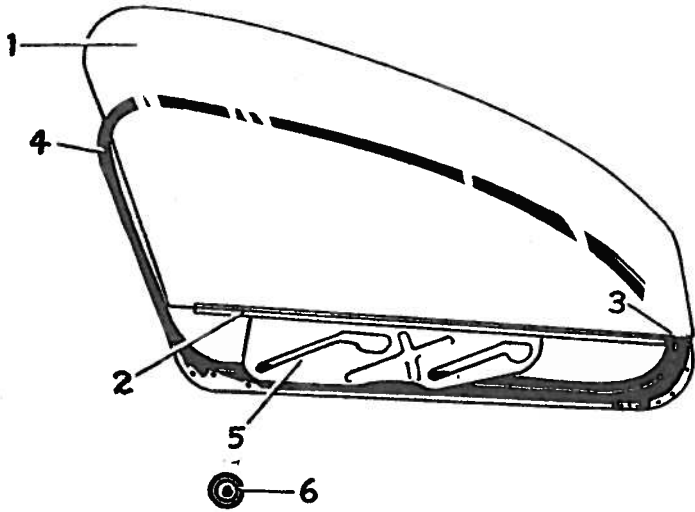
| Item Part No. | Description | Price | Item Part No. | Description | Price |
|---------------------------|--------------------|-------|--------------------------------------|------------------------|-------|
| 1 | Glass, Rr. Window: | | 3 | 4125388—Channel, glass | 2.75 |
| 4116683—25, 2727, 27B, 11 | 11.50 | 3 | 4125397—Channel, seal, exc. 25, 2707 | 1.15 | |
| 4125275—25, 2707 | 13.95 | 3 | 4125208—Channel, seal, 25, 2707 | 1.15 | |
| 2 | Molding, Reveal: | | | | |
| 4125671—25, 2727, 27B, 11 | 2.75 | | | | |
| 4125922—25, 2707 | 2.75 | | | | |

LICENSE LAMP
Not illustrated

| Item Part No. | Description | Price |
|---------------|---------------------|-------|
| 927421 | License lamp assy. | 6.60 |
| 3663782 | Pad, 25, 27-07 | .35 |
| 3663703 | Pad, exc. 25, 27-07 | .30 |
| 5932763 | Cover, lamp | .15 |
| 5932762 | Gasket | .05 |
| 5932761 | Lens | .35 |
| 5932806 | Wire assem. | .35 |
| 142303 | Bulb | .10 |
| 5935891 | Bar, lic., supt. | .20 |

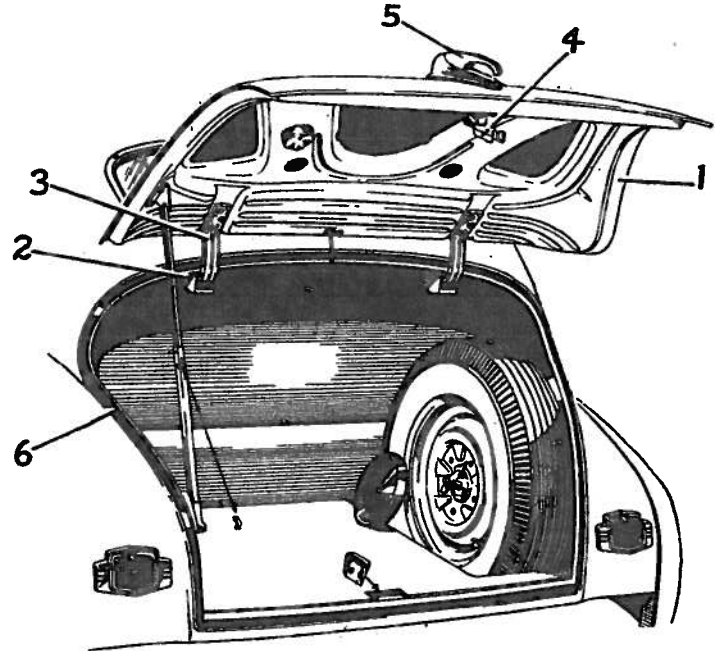
PONTIAC TORPEDO 1946 to 1948 BODY PARTS

Models 25 and 27. ALL BODY STYLES



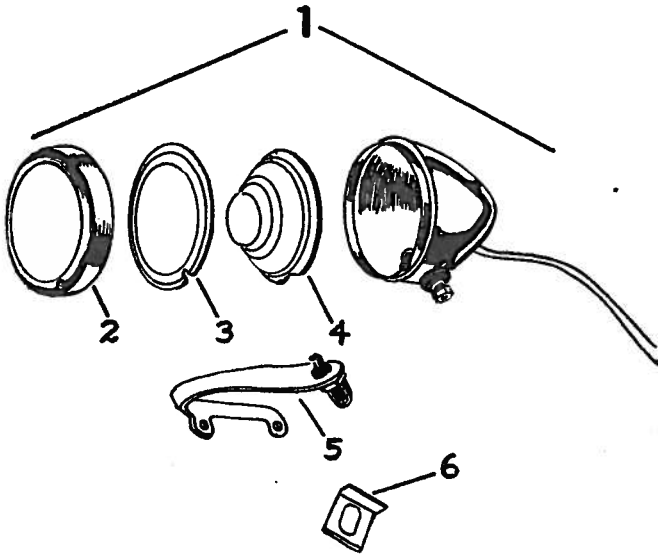
REAR QUARTER WINDOW HARDWARE, LEFT SIDE
2 DOOR—CLOSED TYPES

| Item Part No. | Description | Price | Item Part No. | Description | Price |
|---------------|-----------------------------|-------|---------------|----------------------------|-------|
| 1 | Glass, rear quarter window. | | 4147707 | 46, 47—25, 2711 | 9.75 |
| | 4117575—25, 2727B | 6.30 | 4147705 | 46, 47—25, 2707 | 7.50 |
| | 4115811—25, 2727 | 8.40 | 4162454 | 48—25, 2727 | 6.95 |
| | 4115808—25, 2711 | 13.10 | 4162452 | 48—25, 2727B | 4.95 |
| | 4125274—25, 2707 | 9.95 | 4162482 | 48—25, 2711 | 9.75 |
| 2 | Sash channel, lower. | | 4162490 | 48—25, 2707 | 7.50 |
| | 4114415—25, 27, w/reg. | 2.60 | | Regulator, window. | |
| | 4125718—25, 2707 | .90 | 4114159 | 25, 2707 | 3.80 |
| | 4102820—25, 2711 | .90 | 4115181 | 25, 2711 | 3.80 |
| 3 | 603954—Filler, low. chnl. | 1.90 | 4147636 | Handle, reg., 25, 2707, 11 | 1.45 |
| 4 | 4114958—W/strip., 25, 2727 | 1.00 | 5 | 4099974—Cam | .35 |
| 4 | 4114858—W/strip., 25, 2711 | .85 | 6 | 4551700—Escutcheon | .45 |
| | Molding, garnish. | | | 4131052—Bumper | .06 |
| | 4147655—48, 47—25, 2727 | 6.95 | | | |
| | 4147660—48, 47—25, 2727B | 4.95 | | | |



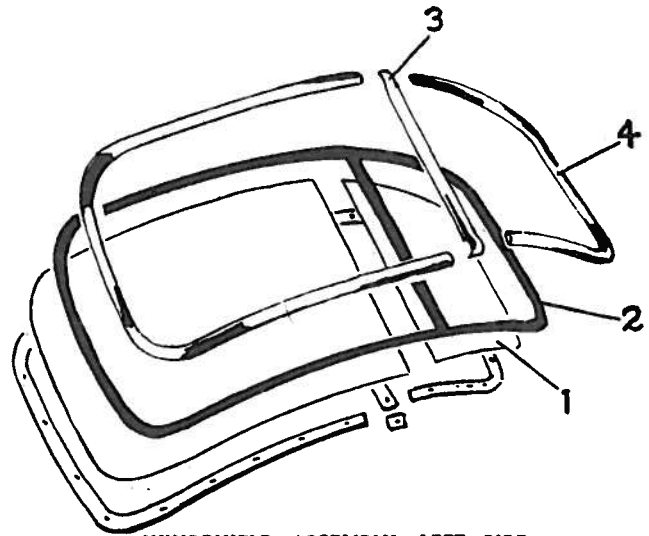
REAR DECK LID, LEFT SIDE
ALL MODELS

| Item Part No. | Description | Price | Item Part No. | Description | Price |
|---------------|---------------------------------|-------|---------------|--|-------|
| 1 | 4147955—Deck lid, 2527, 27B, 67 | 25.50 | 5 | 4125644—Handle, lock, 2527, 27B, 11, 19, 67 | 3.65 |
| 1 | 4149869—Deck lid, 2507 | 25.50 | 5 | 4125643—Handle, lock, 2507 | 3.65 |
| 1 | 4149870—Deck lid, 2511, 19 | 19.50 | 6 | 4131754—W/strip., 2527, 27B, 11, 19, 67 | 3.95 |
| 2 | 4101843—Hinge assy., 2527, 27B | 2.35 | 6 | 4162616—W/strip., low., 1948 | .95 |
| 2 | 4120734—Hinge box, 2511, 19 | 1.75 | | ALL | |
| 2 | 4133033—Hinge box, 2507 | 1.75 | 6 | 4125998—W/strip., up. & sides, 1946, 47—2507 | 5.85 |
| 2 | 4147638—Hinge assy., 2567 | 2.90 | 6 | 4132274—W/strip., low., 1946, 47—2507 | 1.75 |
| 3 | 4120735—Hinge strap, 2511, 19 | 1.65 | 6 | 4132271—W/strip., up. & sides, 1948—2507 | 4.60 |
| 3 | 4131402—Hinge strap, 2507 | 1.75 | | | |
| 4 | 4129651—Deck lock | 2.75 | | | |



BACK-UP LAMP

| Item Part No. | Description | Price |
|---------------|---------------------------------------|-------|
| 1 | 927589—Back-up lamp assy., 46, 47, 48 | 3.95 |
| 2 | 5931447—Door | .95 |
| 3 | 5935956—Gasket | .15 |
| 4 | 5938015—Lens, 48, 46, 47 | .45 |
| 5 | 5936850—Switch, 46, 47 | .95 |
| 5 | 510964—Switch, 48 | .85 |
| 5 | 509257—Supt., switch, S. T. | .20 |
| 5 | 510438—Supt., switch, hyd., 48 | .15 |
| 6 | 509258—Stop, switch, S. T. | .10 |
| 6 | 510764—Stop, switch, hyd., 48 | .10 |



WINDSHIELD ASSEMBLY, LEFT SIDE
2 DOOR—CONVERTIBLE TYPE

| Item Part No. | Description | Price | Item Part No. | Description | Price |
|---------------|------------------------------|-------|---------------|----------------------------------|-------|
| 1 | 4115809—Glass | 11.25 | 4113416 | Mirror, Rr. view, 47, 48 | 1.75 |
| | Escutcheon: | | 4165932 | Sunshade | 5.25 |
| | 4147631—46 | .23 | 4090488 | Support | .90 |
| | 4120806—47, 48 | .80 | 2 | 4122594—Channel, w/s glass | 4.50 |
| | 4147650—Mold., garnish, 46 | 3.50 | 3 | 4114948—Mold., div., reveal, w/s | 1.15 |
| | 4120805—Mold., garn., 47, 48 | 10.10 | 4 | 4114444—Mold., reveal, w/s | 1.75 |
| | 4120811—Mold., w/s div., in. | 3.40 | | | |
| | 4161195—Mirror, Rr. view, 46 | 1.75 | | | |

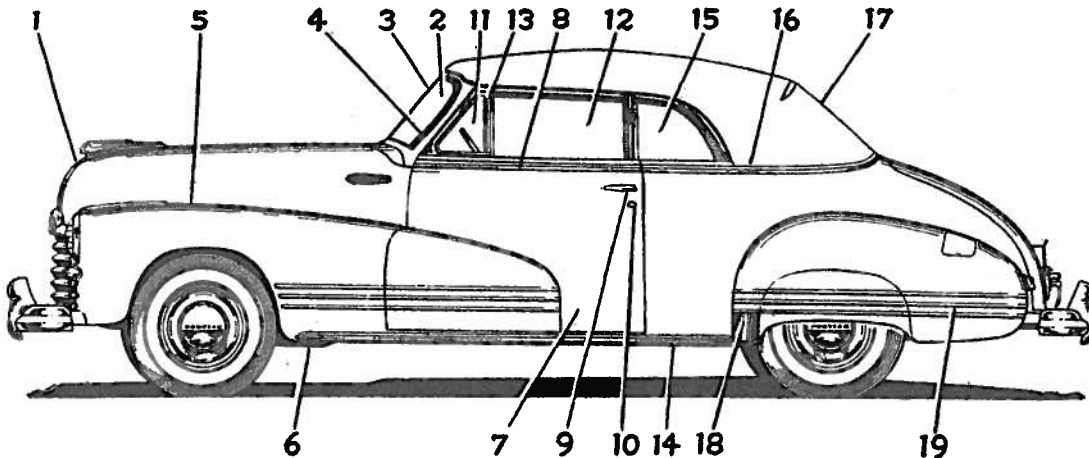
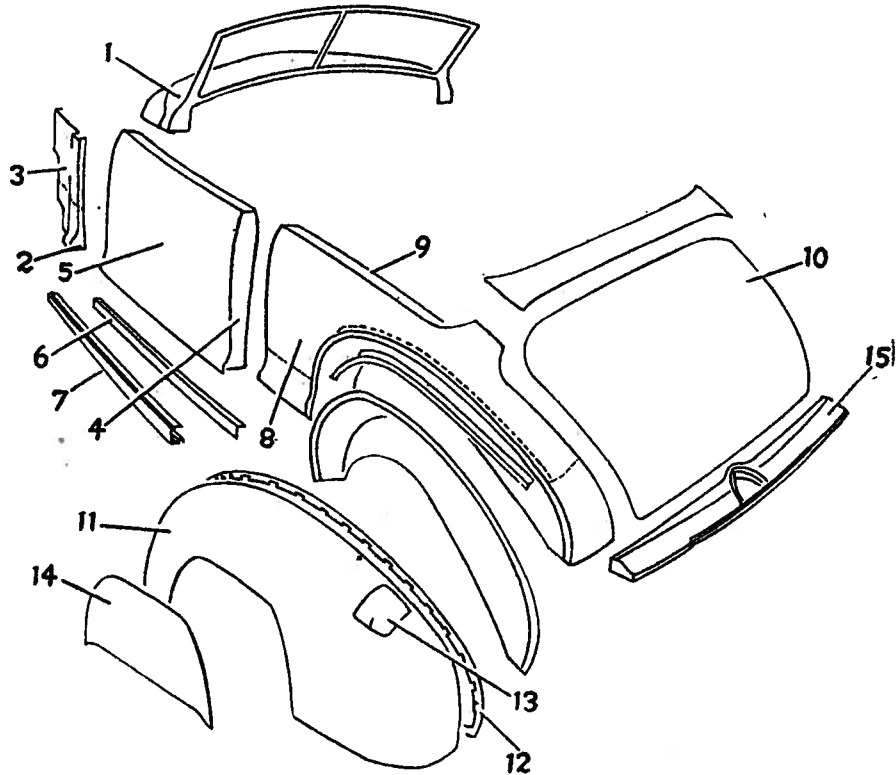
BODY PARTS 1946 to 1948 TORPEDO PONTIAC

Models 25 and 27. ALL BODY STYLES

CAR BODY, SHEET METAL, LEFT SIDE

2 DOOR—CONVERTIBLE TYPE

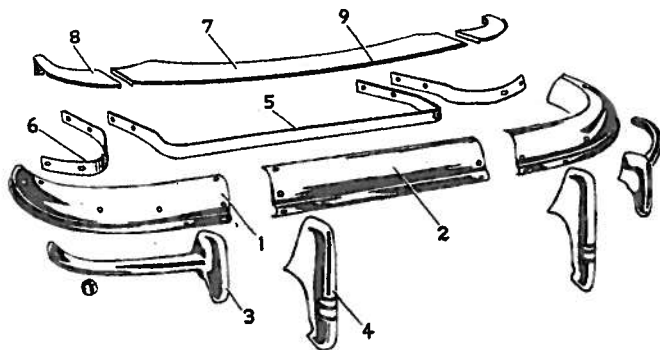
| Item | Part No. | Description | Price |
|------|----------|--------------------------------|-------|
| 1 | 4139349 | Cowl & dash Assy. | 95.00 |
| 2 | 4165405 | Leg Assy., end pl. | 7.50 |
| 3 | 4133388 | Cowl side panel | 5.25 |
| 4 | 4149806 | Front door | 43.65 |
| 5 | 4149808 | Frt. door pl., out. | 16.95 |
| 6 | 4132451 | Rocker pl., in. | 3.45 |
| 7 | 4148901 | Rocker pl., out. | 3.45 |
| 8 | 4161000 | Rear quart. side pl., out. | 36.25 |
| 9 | 4139824 | Rear quart. side pl., in., 46 | 17.95 |
| 10 | 4147955 | Deck lid | 25.50 |
| 11 | 506826 | Fender, rear, 46, 47. | 13.00 |
| 11 | 510631 | Fender, rear, 48 | 13.00 |
| 12 | 601726 | Weatherstrip | .12 |
| 13 | 505332 | Door, fuel tank | 1.25 |
| 14 | 507539 | Shield, rr. fdr. panel, 46, 47 | 6.50 |
| 14 | 510663 | Shield, rr. fdr. panel 48 | 6.50 |
| | 506903 | Deflector | 1.75 |
| 15 | 4114699 | Pan, rear end, 46, 47 | 6.90 |
| 15 | 4162708 | Pan, rear end, 48. | 8.50 |



CAR BODY, CHROME & TRIM MOLDINGS, LEFT SIDE

2 DOOR—CONVERTIBLE TYPE

| Item | Part No. | Description | Price |
|------|---|---|-------|
| 1 | 506849 | Molding, hood grille, 46, 47 | 10.95 |
| 1 | 510488 | Molding, hood grille 48 | 10.95 |
| 2 | 4115809 | Glass, w/s | 11.25 |
| 3 | 4114948 | Molding, w/s div. | 1.15 |
| 4 | 4114444 | Molding, w/s reveal | 1.75 |
| 5 | 507121 | Mold., frt. fndr. top. | .80 |
| 6 | 508801 | Mold., frt. fndr. & rck. pl. ext. | 2.50 |
| 7 | 4149806 | Front door | 43.65 |
| 8 | 4125961 | Molding, Front Door Belt: Upper, 46, 47 | 1.15 |
| | 4162494 | 48 | 1.85 |
| 9 | 4114751 | Handle, frt. dr. | 2.25 |
| 10 | 4113800 | Look, frt. dr. | 4.25 |
| 11 | 4115813 | Vent. glass, frt. dr. | 3.50 |
| 12 | 4132199 | Glass, frt. door | 10.25 |
| 13 | 4129781 | Mold., wind. div. chnl | 4.30 |
| 14 | 508797 | Mold., rck. pl. rr. | 1.75 |
| 15 | 4132083 | Glass, rr. quart. wind. | 6.30 |
| 16 | 4125624 | Mold., rr. quart. belt, 46, 47 | 1.45 |
| | 4162518 | Mold., rr. quart. belt, 48 | 2.10 |
| 17 | 4117576 | Glass, Rr. wind. | 4.20 |
| 18 | Shield, Rear Fender Stone: 506903—194, 47 | 1.75 | |
| | 510738—1948, Except "D's" | 1.85 | |
| | 510592—1948, "D's" | 3.25 | |
| 19 | 510605 | Mldg., frt. fndr. side, 48 | 1.25 |

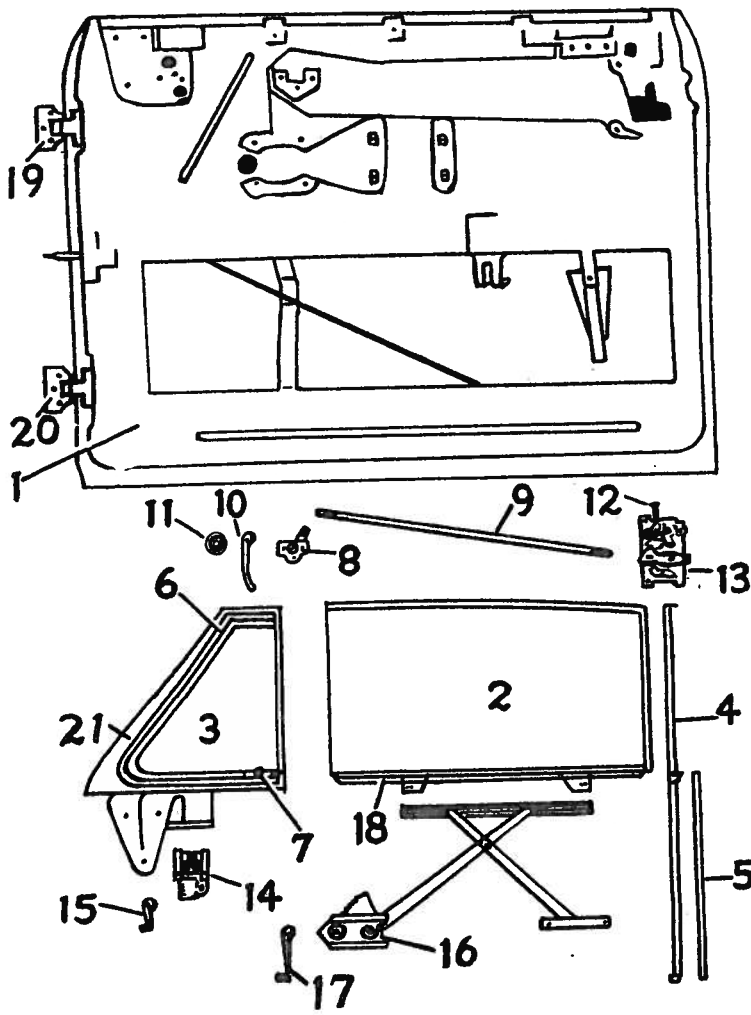


REAR BUMPER, LEFT SIDE

| Item | Part No. | Description | Price |
|------|----------|---------------------|-------|
| 1 | 508565 | Bar, outer | 14.25 |
| 2 | 508775 | Bar, center | 11.25 |
| 3 | 508758 | Guard, outer | 5.75 |
| 4 | 508541 | Guard, inner | 5.50 |
| 5 | 508777 | Back bar, in. | 5.50 |
| 6 | 508779 | Back bar, out. | 2.25 |
| 7 | 508780 | Apron | 3.75 |
| 8 | 508784 | Apron, ext. Assy. | 1.45 |
| 9 | 508792 | Apron weatherstrip. | .12 |

PONTIAC TORPEDO 1946 to 1948 BODY PARTS

Models 25 and 27. ALL BODY STYLES

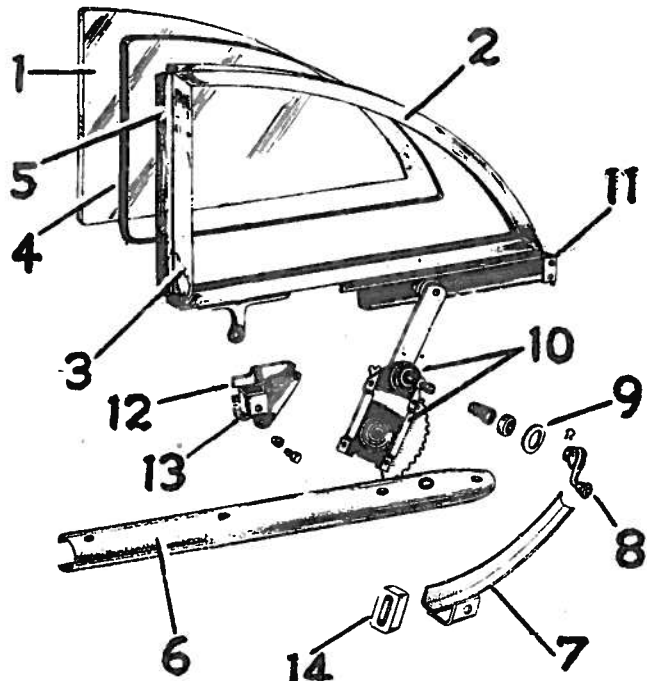


FRONT DOOR HARDWARE, LEFT SIDE
2 DOOR—CONVERTIBLE TYPE

| Item Part No. | Description | Price | Item Part No. | Description | Price |
|---------------|--------------------------------|-------|---------------|----------------------------|-------|
| 1 | 4149806—Door | 43.65 | 14 | 4089412—Regltr., vent. | 2.65 |
| 2 | 4132199—Glass | 10.25 | 15 | 4147635—Handle, vent. reg. | 1.65 |
| 3 | 4115813—Vent. glass | 3.50 | | 4146985—Escutcheon, 46, 47 | .45 |
| | 4147668—Midg., garnish, 46, 47 | 3.50 | | 4551700—Escutcheon, 48 | .45 |
| | 4135036—Midg., garnish, 48. | 8.30 | | 4078002—Spring | .06 |
| 4 | 4133576—Channel, run | 1.75 | 16 | 4125878—Regltr., wind. | 4.10 |
| 5 | 4129781—Channel, div. | 4.30 | 17 | 4147636—Handle, wind. reg. | 1.45 |
| 6 | 4118506—W/strip., vent. | 2.60 | | 4146985—Escutcheon, 46, 47 | .45 |
| 7 | 4128388—Lock, vent. | .60 | | 4551700—Escutcheon, 48 | .45 |
| 8 | 4133004—Remote ctrl. lock | .85 | | 4078002—Spring | .06 |
| 9 | 4131438—Link, con. | .12 | | 4131875—Striker, dr. | .85 |
| 10 | 4090143—Handle, lock | 1.05 | | 4099828—Cap bmpr. | .20 |
| 11 | 4146985—Escutcheon, 46, 47 | .45 | | 4073913—Plate, wedge | .35 |
| 12 | 4551700—Escutcheon, 48 | .45 | 18 | 4114470—Sash channel | 3.75 |
| | 4078002—Spring | .06 | 19 | 4125228—Hinge box, up. | 2.75 |
| | 4113807—Lever, lock ctrl. | .12 | 20 | 4125273—Hinge box, low. | 2.75 |
| 13 | 4114134—Rod, lock ctrl. | .12 | | 4132474—Link, check | .50 |
| | 4113800—Lock assy. | 4.25 | | 4132087—Support, link | .30 |
| | | | 21 | 4114613—Vent. assy. | 37.40 |

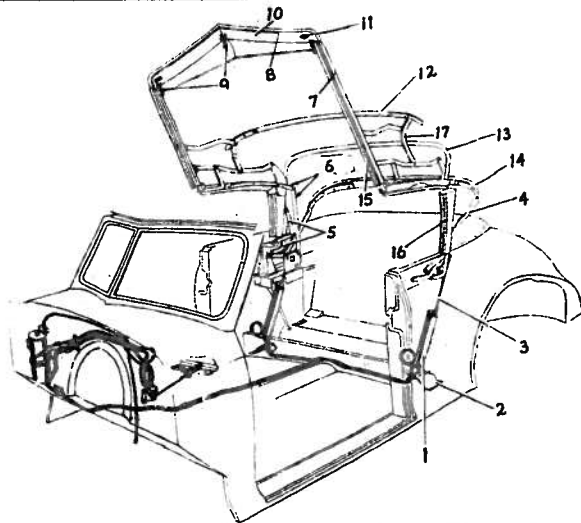
REAR WINDOW
Not illustrated
2 DOOR—CONVERTIBLE TYPE

| Part No. | Description | Price |
|----------|---------------------|-------|
| 4117576 | Glass | 4.20 |
| 4116372 | Frame, glass, out. | 3.75 |
| 4141516 | Frame, glass, in... | 2.60 |



REAR QUARTER WINDOW HARDWARE, LEFT SIDE
2 DOOR—CONVERTIBLE TYPE

| Item Part No. | Description | Price | Item Part No. | Description | Price |
|---------------|------------------------------------|-------|---------------|-------------------------|-------|
| 1 | 4132083—Glass | 6.30 | 7 | 4132018—Guide, wind. | 2.30 |
| 2 | 4135038—Sash channel, up. | 7.75 | 8 | 4147635—Handle, regltr. | 1.60 |
| 3 | 4135041—Sash channel, low. & front | 14.85 | 9 | 4551700—Escutcheon | .45 |
| 4 | 603954—Filler, low. chnl. | 1.90 | 10 | 4131904—Regltr., wind. | 3.45 |
| 5 | 4131898—W/strip. | 1.25 | 11 | 4099974—Cam | .35 |
| 6 | Molding, garnish. | | 12 | 4161106—Adj. plate | .90 |
| | 4147682—46, 47 | 4.75 | 13 | 4133589—Hinge, female | 1.45 |
| | 4131902—47, 48 | 7.90 | 14 | 4131772—Bumper, low. | .02 |

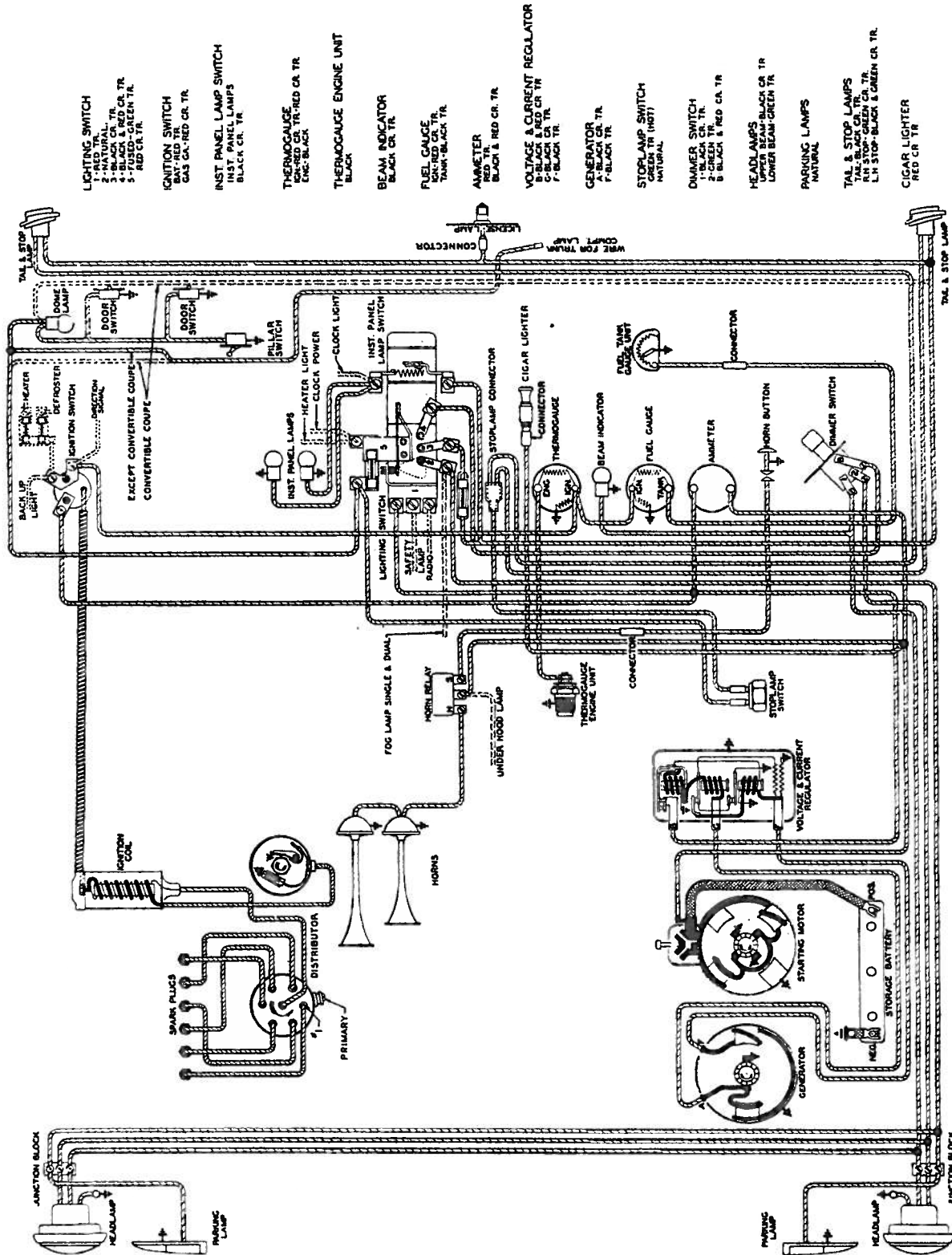


HYDRAULIC TOP LIFT ASSEMBLY, LEFT SIDE
2 DOOR—CONVERTIBLE TYPE

| Item Part No. | Description | Price | Item Part No. | Description | Price |
|---------------|---------------------------|-------|---------------|-----------------------------|-------|
| 1 | 4149728—Cyl. lift assy. | 10.35 | 8 | 4114973—W/strip., rr. | 1.35 |
| 2 | 4149727—Support | 1.40 | 9 | 4134974—Catch, side | 2.60 |
| 3 | 348750—Tube | 4.00 | 9 | 4134975—Catch, center | 2.60 |
| 4 | 4147864—Slat iron | 5.20 | 10 | 4134944—Rail assy., frt. | 10.35 |
| 5 | Link, auxiliary bow. | | 11 | 4091542—Plate, center | 1.15 |
| | 4147847—Lower | 2.90 | 11 | 4116647—Plate, side | 1.45 |
| | 4147848—Upper | 2.90 | 12 | 4139634—Bow, No. 1 | 28.75 |
| | 4147861—Front | 2.60 | 13 | 4134948—Bow, aux. | 4.60 |
| 6 | 4147858—Link assy., ctrl. | 9.20 | 14 | 4134951—Bow, rear | 10.05 |
| 7 | 4161974—Side rail, frt. | 7.90 | 15 | 4148240—Corner brace | 2.70 |
| 7 | 4161972—Side rail, rr. | 21.30 | 16 | 4134966—Hinge | 8.65 |
| 8 | 4114982—W/strip. | 1.35 | 17 | 4147850—Slat iron, aux. bow | 2.90 |

WIRING 1946 to 1948 TORPEDO PONTIAC

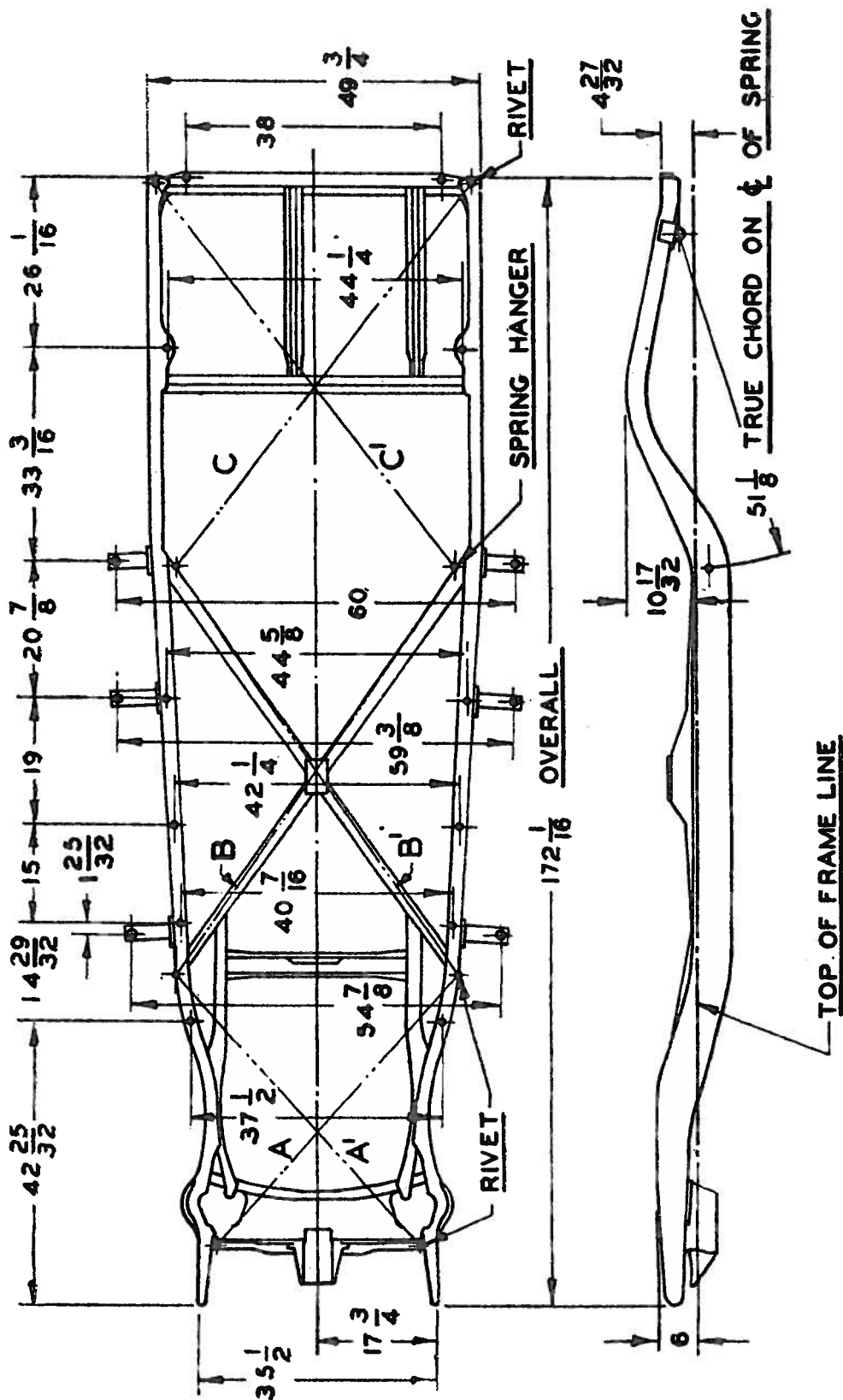
Models 25 and 26. ALL BODY STYLES



Wiring Diagram—6 Cylinder Models 25-26 (For Model 27 See Page 595)

PONTIAC TORPEDO 1946 to 1948 FRAME

Models 25 and 27. ALL BODY STYLES



Frame Dimensions—Torpedo 6 & 8

FLAT RATE TORPEDO 1946 to 1948 PONTIAC

Models 25 and 27. ALL BODY STYLES

| Chilton Job No. | Chilton Labor Price | Chilton Job No. | Chilton Labor Price | Chilton Job No. | Chilton Labor Price | Chilton Job No. | Chilton Labor Price | Chilton Job No. | Chilton Labor Price | Chilton Job No. | Chilton Labor Price | Chilton Job No. | Chilton Labor Price | Chilton Job No. | Chilton Labor Price | Chilton Job No. | Chilton Labor Price |
|-----------------|---------------------|-----------------|---------------------|-----------------|---------------------|-----------------|---------------------|-----------------|---------------------|-----------------|---------------------|-----------------|---------------------|-----------------|---------------------|-----------------|---------------------|
| A | | A—continued | | A—continued | | B—continued | | C—continued | | D | | E—continued | | E—continued | | F—continued | |
| 1 | 4.00 | 6 | 19.00 | 20 | 4.00 | 9 | 4.25 | 3 | 25.00 | 1 | 4.00 | 2 | 28.00 | 12 | 11.00 | 2 | 22.00 |
| 1a | 3.60 | 7 | 3.00 | 20x | 8.50 | 10 | 4.25 | 4 | 2.50 | 1a | 3.50 | 3 | 30.00 | 13 | 30.00 | 3 | 30.00 |
| 2 | 2.50 | 8 | 3.00 | | | 11 | 3.25 | 5 | 3.75 | 2 | 2.50 | 4 | 25.00 | 14 | 100.00 | 4 | 2.50 |
| 3 | 6.00 | 9 | 5.00 | B | | 12 | 3.75 | 6 | 4.25 | 3 | 6.00 | 5 | 30.00 | 15 | 85.00 | 5 | 4.75 |
| 4 | 17.00 | 10 | 8.50 | 1 | 3.75 | 13 | 11.00 | 7 | 2.00 | 4 | 11.00 | 6 | 28.00 | 16 | 52.00 | 6 | 6.80 |
| 4a | | 11 | 3.00 | 1a | 6.75 | 14 | 2.75 | 8 | 3.50 | 7 | 14.00 | 7 | 14.00 | 17 | 46.00 | 7 | 2.00 |
| 4b | 4.00 | 12 | 5.50 | 2 | 22.00 | 15 | 1.25 | 9 | | 7x | | 7x | | 18 | 19.00 | 8 | 3.50 |
| 4c | 5.00 | 13 | 3.00 | 3 | 30.00 | | | 10 | 4.25 | 18 | 11.00 | 8 | | 19 | 12.00 | 9 | |
| 4d | 11.00 | 14 | 3.50 | 4 | 2.50 | | | 11 | 3.25 | 20 | 3.75 | 9 | 80.00 | | | 10 | 4.25 |
| 5a | 4.00 | 15 | 1.00 | 5 | 3.75 | C | | 12 | 3.75 | | | 9x | 70.00 | | | 11 | 3.25 |
| 5b | 3.50 | 16 | | 6 | 4.25 | 1 | 3.75 | 13 | | | | 9y | 65.00 | F | | 12 | 3.75 |
| 5c | 4.00 | 17 | 1.00 | 7 | 2.00 | 1a | 6.75 | 14 | 2.75 | | | 10 | 40.00 | 1 | 3.75 | 13 | 11.00 |
| 5d | 5.75 | 18 | 9.00 | 8 | 3.50 | 2 | 19.00 | 15 | 1.25 | E | | 11 | 45.00 | 1a | 6.25 | 14 | 2.75 |
| | | | | | | | | | | 1 | 100.00 | | | | | | |

STEERING GEOMETRY

CASTER: 1/2 to 1 degree negative, 3/4 desired.

CAMBER: 1/4 positive to 1/4 degree negative, zero desired.

TOE-IN: Zero to 1/16 inches.

KING PIN INCLINATION: 1946-47, 4 3/8 to 4 7/8 degree. 1948, 5 degree.

ADJUSTMENT

CASTER is controlled by full turns of the upper eccentric pin.

CAMBER is controlled by eccentric upper pin and full range is obtained in one-half turn.

TOE-IN: Should be adjusted at both tie rods.

