

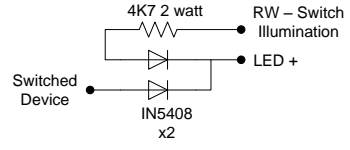
# Dax Cobra Wiring Diagram – November 2011

Notes

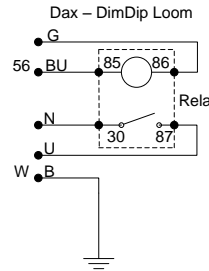
Voltage Stabilizer required for Smiths Classic Instruments – Otherwise connect G to BY

Ballast Resistor (if required) – Otherwise connect W to W and do not connect WY from Starter to Ignition Coil

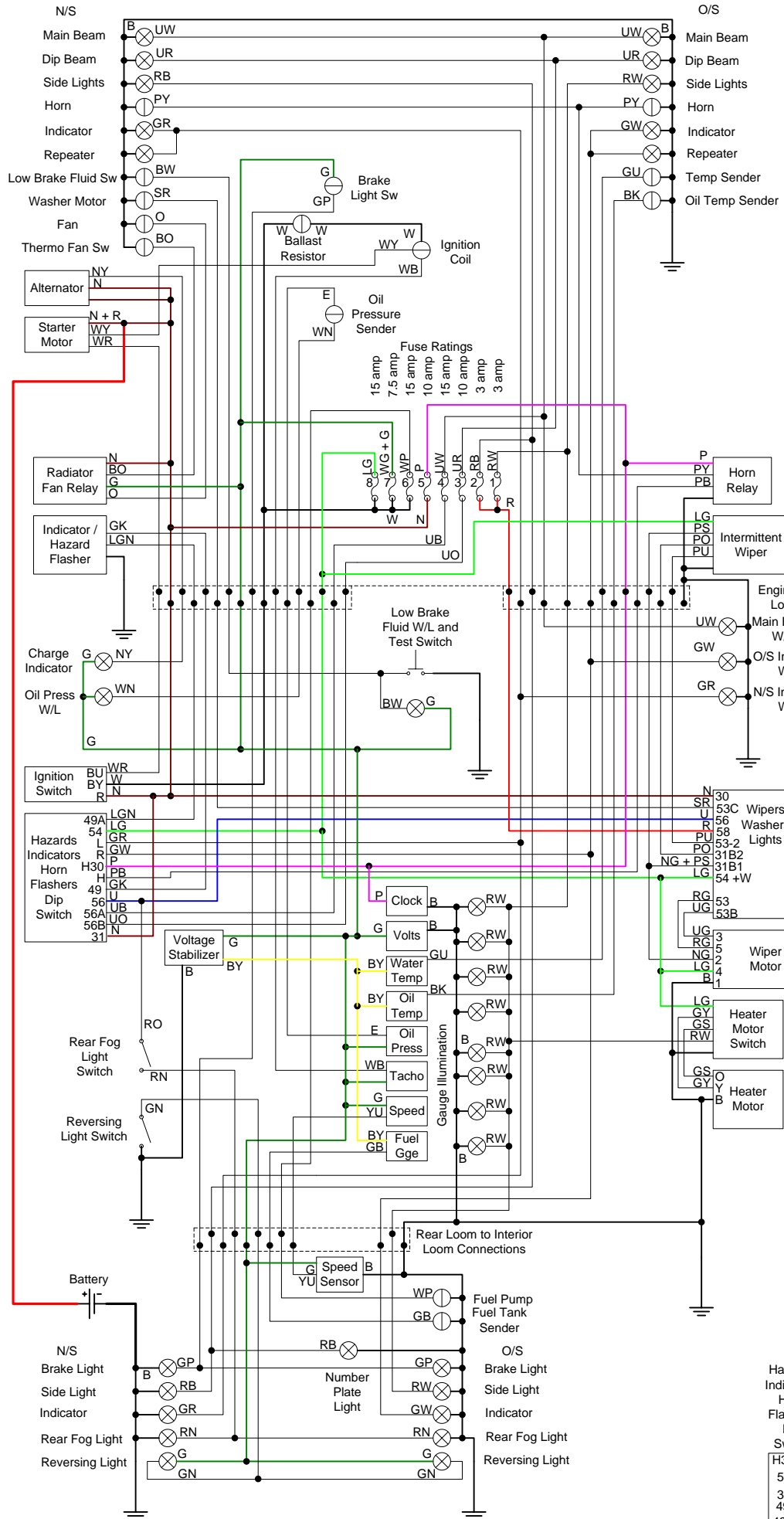
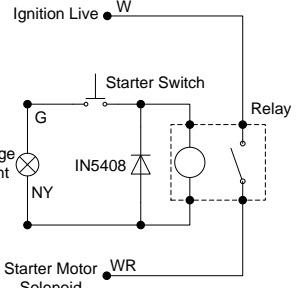
Savage Switches Dimmed Illumination, Full Brightness when On



Intermittent Wiper Relay – Ford Part Number: 9FC 108 (5 pin)



Push Button Starter Prevents switch from operating when engine is running



Colour Code

B	Black
E	Grey
G	Green
K	Pink
LG	Light Green
N	Brown
O	Orange
P	Purple
R	Red
S	Slate
U	Blue
W	White
Y	Yellow

Column Switch Pins and Functions

1	Wiper Motor
2	
3	
4	
5	

H30	H	Horn
56	56A	Main
56	56B	Dip
49	54	Hazards off
49A	L	Indicator
49	R	Indicator
49A	H30	Hazards on
49A	L	Indicator
49A	R	Indicator

53B	30	53C
54	W	53-2
53	56	53-2
31B1	31B2	56
55		55

30	58	Side
W	56	Head
31B1		Intermittent
53		Wiper Slow
54		Wiper Fast
54		Washer

53-2 and 31B2 Intermittent Relay